



EN **Operator's manual p.3**

Please read the operator's manual carefully and make sure you understand the instructions before using the machine.

DE **Bedienungsanweisung p. 21**

Lesen Sie die Bedienungsanweisung sorgfältig durch und machen Sie sich mit dem Inhalt vertraut, bevor Sie das Gerät benutzen.

NL **Gebruiksaanwijzing p. 39**

Neem de gebruiksaanwijzing grondig door en gebruik de machine niet voor u alles duidelijk heeft begrepen.

IT **Istruzioni per l'uso p. 61**

Prima di usare la macchina, leggere per intero le istruzioni per l'uso e accertarsi di averne compreso il contenuto.

FS 700 EX



EN DE NL IT

English

Contents

Key to symbols	5
Safety Instructions	6
Introduction	7
Technical data	10
Operation	11
Before cutting.....	11
Assembling/Replacing the blade.....	11
Connecting the machine	12
Sawing	13
Stop cutting.....	14
Transport	15
Maintenance	16
Trouble shooting	17
EU declaration of conformity	19

Key to symbols

The symbols below are used on the machine and in this Operator's Manual. It is important that the user understands the significance of these in order to work with the machine safely.

Manual

Please read the Operator's Manual carefully and understand the contents before the machine is started.



Protective equipment

Always wear:

- Approved protective helmet.
- Approved hearing protection.
- Approved protective glasses or a visor, and other essential safety equipment.



Warning

A large warning triangle with the text "Warning" signifies that there is a risk of serious personal injury or even death.



Note

A smaller warning triangle with the text "Note" signifies that there is a risk of minor personal injury or damage to the machine.



Attention

A hand with a raised index finger with the text "Attention" signifies that a described element demands extra attention.



CE

This symbol indicates that the machine conforms to applicable EU directives.



Electrical Warning

This symbol warns that there is high voltage present



Environmental Information

The symbol on the product or on its packaging indicates that this product may not be treated as household waste. Instead it shall be handed over to the applicable collection point for the recycling of electrical and electronic equipment.

By ensuring this product is disposed of correctly, you will help prevent potential negative consequences for the environment and human health, which could otherwise be caused by inappropriate waste handling of this product.

For more detailed information about recycling of this product, please contact your local council office, your household waste disposal service or the shop where you purchased the product.



Safety Instructions

During the design and production of Husqvarna products, great importance is placed on safety, as well as effectiveness and ease of use. To ensure that the machine remains safe you must pay attention to the following points:

- Note that under no circumstances may the machine be started without following the safety instructions. Should the user fail to comply with these, Husqvarna Construction Products Sweden AB or its representatives are free from all liability both directly and indirectly.

Read through these operating instructions and make sure that you understand the contents before starting to use the machine. Should you, after reading these safety instructions, still feel uncertain about the safety risks involved you must not use the machine

Please contact your dealer for more information.

- Check that all couplings, connections and the blade guard are in full working order.
- Make sure that all hoses and electrical cables are connected to the machine correctly before you start the machine.
- The safety distance is 4 metres in front of and to the side of the saw.
- Make sure that there are no persons or animals in the working area.
- Check that the blade guard and blade flange guard are fitted correctly.
- Always saw in a manner that permits easy access to the emergency stop.
- Never leave the machine unsupervised with the engine running.
- Clearly mark out all cuts to be made on the floor before you start sawing, plan these so they can be carried out without danger to persons or the machine.
- Check with the construction drawings whether there are electrical cables, water mains, gas pipes or drainage pipes within the working area.
- Check that electrical cables within the working area are not live.
- Observe care when lifting. You are handling heavy parts, which implies the risk of crush injuries or other injuries.
- Personal protective equipment according to the Operator's Manual must always be used and you should use protective clothing too. Never wear loose fitting clothes that can catch in moving parts.

- People that need to be in close proximity of the machine must wear hearing protection.
- The machine must not be turned, swung or moved laterally with the blade rotating.
- Only use blades recommended by the manufacturer.
- Never saw without a blade guard.
- Never saw without coolant. A poorly cooled blade can cause segments to come loose from the blade. The water coolant also binds concrete dust.
- Never use a damaged or worn blade.
- Do not use the machine if it is not working properly.
- Regulations for the prevention of accidents, and other general safety and occupational health regulations, must always be followed.
- Store the machine in a locked space away from children and adults untrained in use of the machine.
- Firmly secure or anchor concrete blocks that have been cut loose. The heavy weight of cut material can cause extensive damage if it is not moved under controlled conditions.
- Make sure that there is always another person close at hand when you use the machines, so that you can call for help if an accident should occur.



WARNING!

Always use approved protective clothing and approved protective equipment when using the machine. Protective clothing and protective equipment cannot eliminate accident risks, but by using the right clothes and equipment you can reduce the seriousness if an accident should occur. Ask your dealer about approved and recommended protective clothing and protective equipment.

Introduction

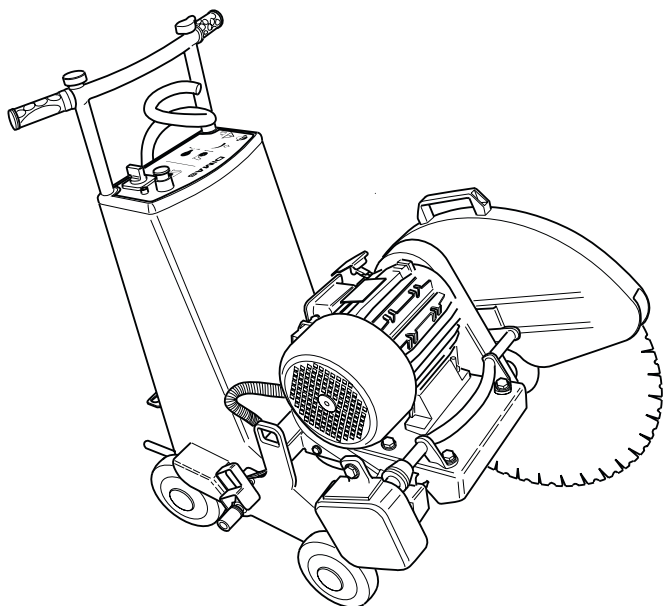
The FS series is a new series of electrically powered floor saws from Husqvarna. The aim during development has been to create a powerful, yet easy to handle machine for cutting reinforced concrete, brick and other stone material. The machine should also be easy to use for one person.

The FS series features electrical trolley feed and blade feed. These are both controlled by a lever fitted on the adjustable handle.

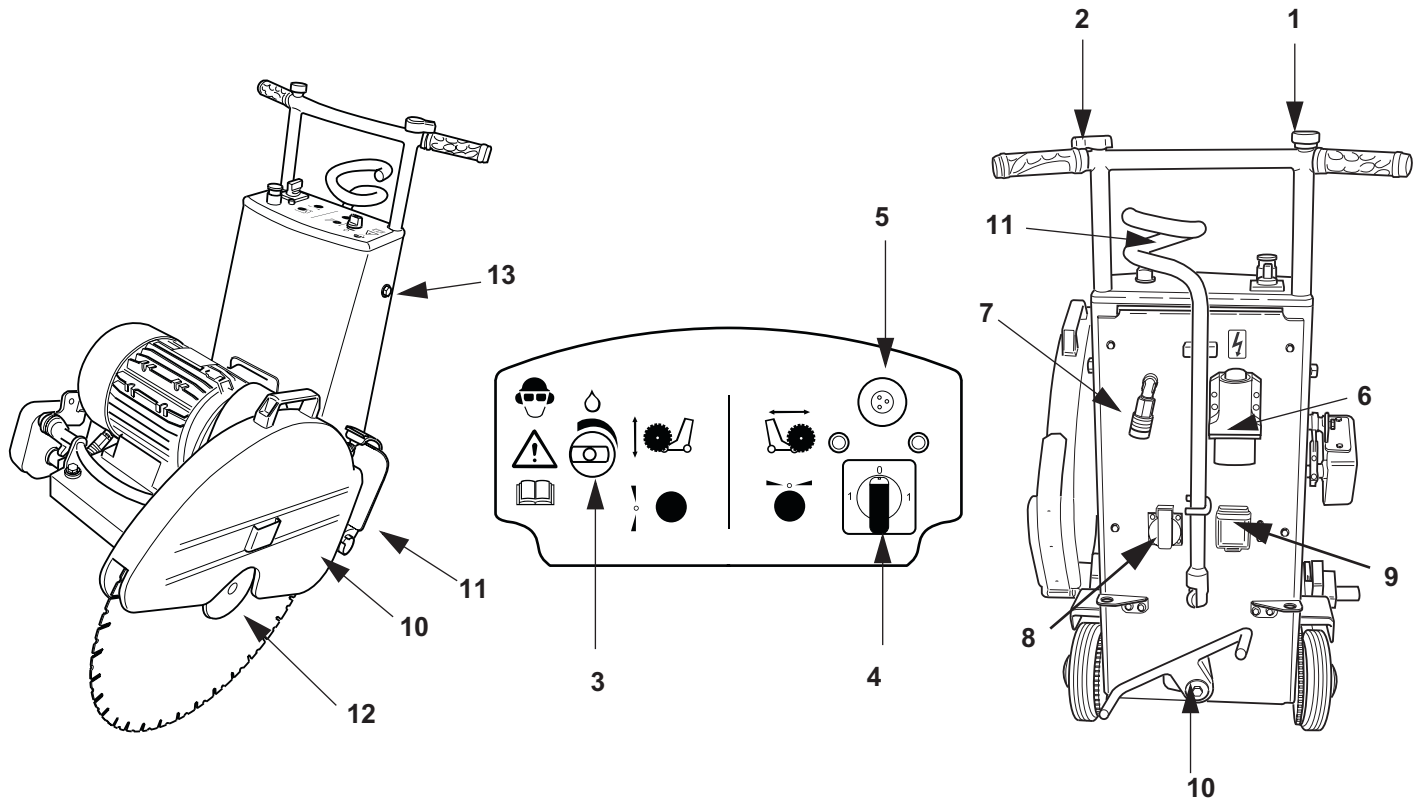
The handle can be folded down into the saw and the cutting bridge can easily be removed to facilitate transport. This means it is easier to lift the saw, and it takes up less space.

A saw is supplied with a flange and blade guard. A flush cutting blade flange and a flush cutting blade guard are available as accessories.

In order to use this machine as effectively as possible, it is important that as the user you read through this Manual carefully. In the event of uncertainty concerning any details these should be discussed with your dealer before you start to use the machine.



What is what



1. Trolley feed lever

The machine's propulsion is controlled using this lever. The machine is driven forwards by turning the lever clockwise. When the lever is turned anticlockwise, the machine reverses. When lever is in the neutral position the machine stands still. This function works as soon as the machine is connected to the power and the machine's propulsion is engaged.

2. Blade feed lever

This lever is used to raise and lower the cutting bridge. The blade is fed downwards when the lever is turned anticlockwise. When the required cutting depth is achieved the lever is turned to the neutral position. The blade is raised by turning the lever clockwise. This function works as soon as the machine is connected to the power.

3. Water selector

Turn this knob anticlockwise to open the water valve. Water is led through the blade spindle and out to the blade flange, where the water cools the blade and prevents dust build-up.

4. Start knob

Used to start the blade.

5. Emergency stop

Cuts all power to the machine. No functions can be activated until the emergency stop has been reset. The emergency stop is reset by pulling out the button.

6. Power supply

For connecting an electrical connector of the type:

5-way 400 V/16A

4-way 480V/16 A.

4-way 600V/16A

7. Water connector

Water coolant is connected to the machine here.

8. 1-Phase 230V outlet Socket

To connect a 230V tool to the machine.

9. Personel protection

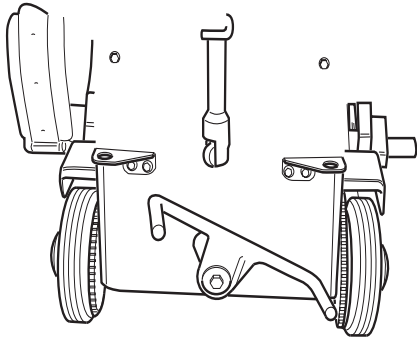
Will cut the power to the 1-phase outlet socket at 30 mA earth fault.

10. Propulsion/Parking brake

When the foot lever is in the illustrated position the drive is engaged. When the foot lever is in this position

and the trolley feed lever is in the neutral position or the machine is not voltage fed, this position acts as a parking brake.

If the foot lever is switched to the other position no gear is engaged and the machine is easy to move. Use this position when the machine needs to be transported over long distances.



11.Hose holder

The user can use the hose holder to prevent hoses and cables trailing behind the machine. These will lie to the side of the machine instead.

12.Blade guard

Can be fitted on either the right or left-hand side of the machine as required. The guard can be secured in the upright position by using the lever on the rear edge of the guard.

13.Splash guard

The machine is equipped with a folding splash guard to minimise water spray and dirtying. When the machine is transported over long distances the splash guard should be folded up and secured using the spring on the blade guard. The splash guard should always be folded down when cutting.

14.Blade flange

The blade flange fits on either side of the machine to allow the blade to be easily fitted on both sides of the machine

The blade flange should be covered with the blade flange guard when a blade is not fitted. The blade flange guard is fitted on the right-hand side on delivery.

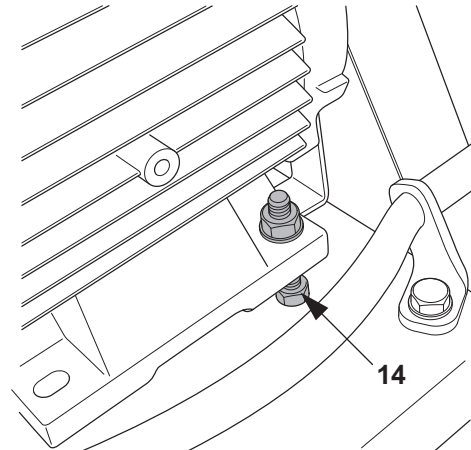
The machine is supplied with a standard blade flange. A flush cutting blade flange can be purchased as an option. Fit the blade on the flush cutting blade flange when the cut is to be made next to a wall. A special flush cutting blade guard must be used when cutting flush.

15.Handle setting

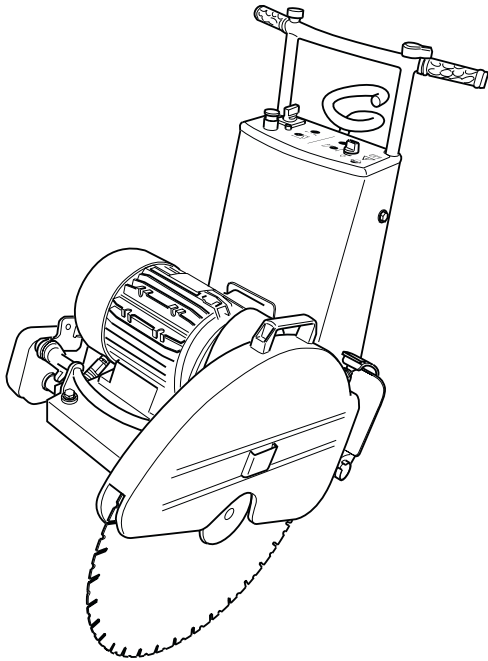
The height of the handle can be adjusted by loosening these two screws to the most suitable height.

16.Adjuster screw

Adjust this screw to tension the drive belt.



Technical data



Weight (excl. blade):	155 kg
Weight (incl. blade):	150 kg
Power:	7.5 kW
Voltage:	400V/3 phase/50 Hz
	480V/3 phase/60 Hz
	600V/3 phase/60 Hz
Type of current	16 A
Max. speed drive shaft:	1780 rpm
Periphery speed, saw blade	56 m/s
Maximum blade diameter	725 mm
max. cutting depth	298 mm

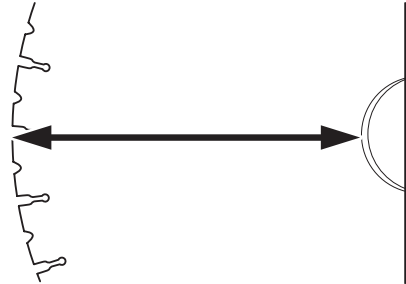
Max. cutting depth:

600 mm (23") blade diameter 235 mm (9.25")

625 mm (24") blade diameter 248 mm (9.76")

700 mm (28.6") blade diameter 285 mm (11.2")

725 mm (29") blade diameter 298 mm (11.7")



We recommend that Husqvarna W1100 series blades are used together with the machine



NOTE

When unsure about the significance of the technical specifications or when ordering spare parts please contact your dealer.



WARNING!

Under no circumstance may the machine be modified without written permission from Husqvarna Construction Products Sweden AB. Non approved modifications put you and others at risk of serious or fatal injuries. Husqvarna Construction Products Sweden AB bears no responsibility for operations or measures that do not follow these instructions.

Operation

Before cutting



NOTE!

Follow the safety precautions.

Check that the correct power cable is connected to the saw.

Check that the coolant water coupling on the hose is the same as the type fitted on the machine.

Enclose the area to be cut so that unauthorised persons can not be injured or disturb the operator while working.

Clearly mark out all cuts to be made on the floor before you start sawing, plan these so they can be carried out without danger to persons or the machine.

In order to prevent stoppages and sources of irritation while cutting, plan the work so that you fit the blade to the most appropriate side of the machine from the outset.

Check that you have the right saw blade for the machine and the material to be cut. See the technical data.

Check that the saw blade is not worn. The blade is worn when only a few millimetres of the diamond segment remains or when the diamond segment is not wider than the body of the blade.

Check that the blade guard is not damaged or broken. A broken or damaged blade guard must never be used.

Ensure you are fully conversant with how machine's control levers work before starting the machine.

Make sure that the emergency stop is not blocked. The emergency stop must not be blocked or covered while working.

Check that the trolley feed, and blade feed levers are in the neutral position.

Remove all foreign objects in the path of the machine that can damage the machine or the surroundings.

Check that there are no unauthorised persons within the safety zone, i.e. 4 metres in front of or to the side of the machine.

Make sure that persons in the vicinity of the machine wear hearing protection and protective glasses.

Move the machine so the blade follows the pre-drawn cutting line.

Check your safety equipment and any protective clothing.

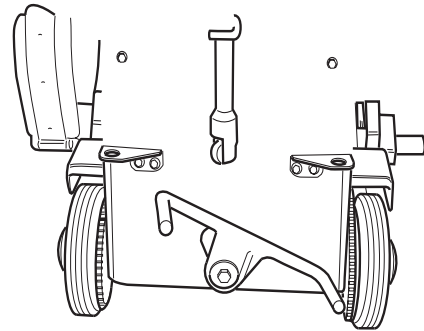


WARNING!

Carefully check that all electrical power cables, water pipes and gas pipes are marked out within the cutting area. To cut into a gas pipe that has not been emptied is directly associated with mortal danger.

Assembling/Replacing the blade

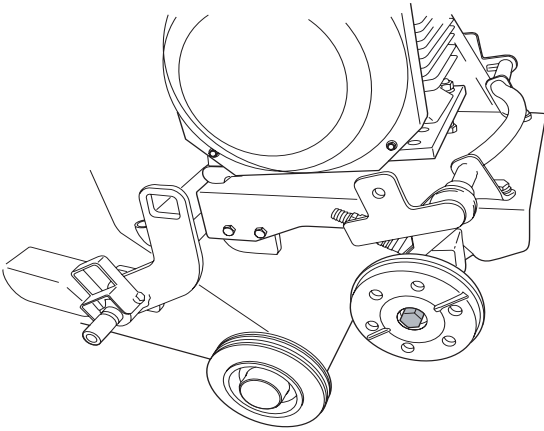
- Lift up the cutting bridge to its highest position.
- Disconnect the incoming electrical connection.
- Engage the machine's propulsion by moving the foot lever as illustrated below.



- Fold up the blade guard and secure it in the raised position by using the blade guard holder.
- Clean the blade flanges and check that they are not damaged.
- Assemble the saw blade and check that the direction of rotation corresponds with the arrow on the blade guard. If the direction of rotation is not marked on the body of the blade, the blade's direction of rotation must be determined with the help of the wear on the diamond segments, the exposed part of the diamond should then be in the direction of rotation.
- Tighten the blade flange using the supplied spanner so hard that it is well secured. At least 70 Nm.
- Fold down the blade guard.
- Check that the saw blade rotates freely and easily by turning it by hand, and that no abnormal noise occurs when the saw blade is rotated. Also check that the saw blade is straight. Never cut with a damaged saw blade.



Attention



Remember that the screw securing the right-hand blade flange has a left-hand thread.

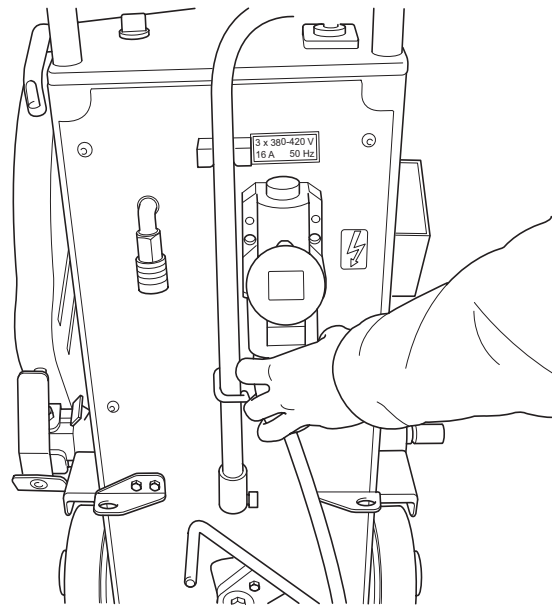


Attention

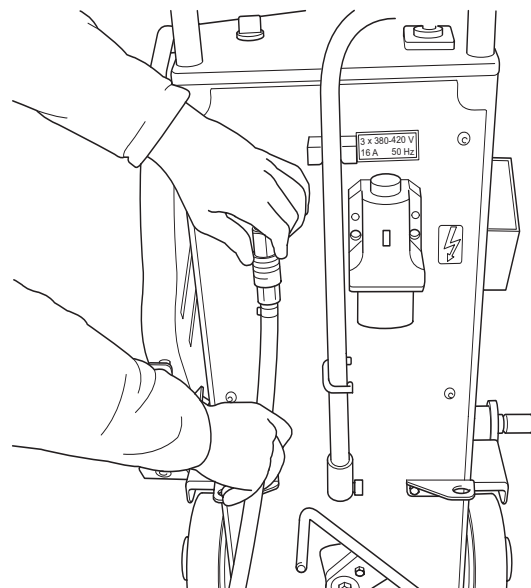
The blade should be assembled on the machine's left-hand side when possible. This is because assembly on the right-hand side affects motor cooling.

Connecting the machine

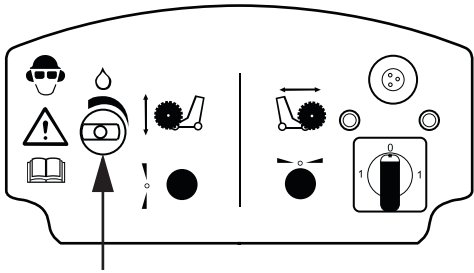
Connect the power cable to the electrical socket.



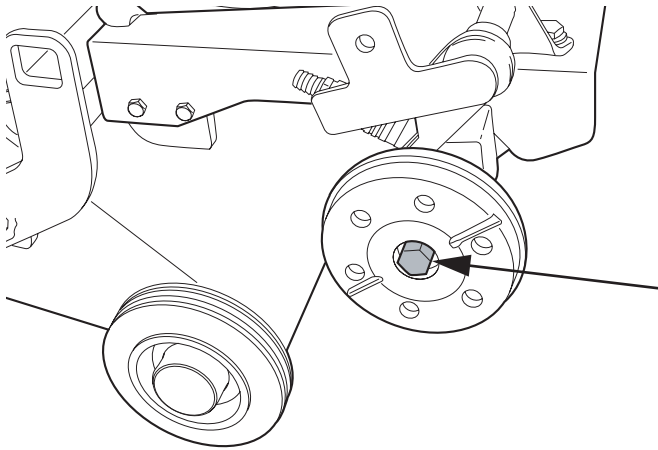
Connect the coolant hose to the right coupling.



Turn on the water coolant so that sufficient cooling is obtained and dust build-up is prevented.

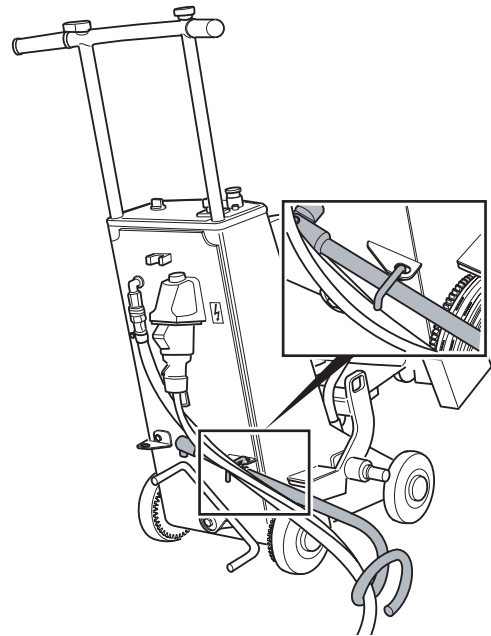


Check that the water supply is ample and that the nozzles are not clogged. Also check that the set screw is fitted in the end of the blade spindle where no blade is fitted



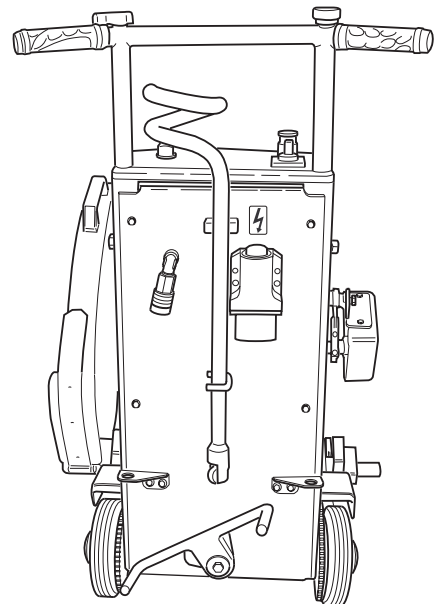
Make sure that the saw blade rotates freely before starting the machine.

Make sure that the machine's power cable and water supply can not end up under the machine or are in the way by using the hose holder.

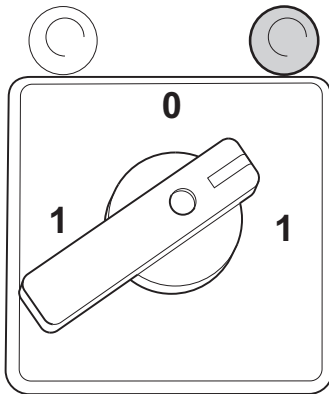


Sawing

Activate the propulsion by moving the foot lever as illustrated with your foot. The machine will not start to move until the trolley feed lever is moved from the neutral position.



Start blade rotation by turning the switch towards the lamp that is on. If the switch is turned in the opposite direction the blade will rotate in the wrong direction.



Feed the saw blade by turning the blade feed lever towards you, so that a cutting depth adapted to the floor material, however at least 20 mm, is realized.

Make a pilot cut at an even speed at this depth along the pre-drawn line. When the complete pilot cut has been made, raise the blade, shut off the water coolant and stop the blade rotating. Reverse the machine to the starting point.

Align the machine with the pilot cut again and start the machine as above.

Lower the saw blade to a suitable cutting depth (5-10 cm). A suitable cutting depth varies depending on the floor material and the speed.

A simple rule is if the machine tends to "climb up" out of the pilot cut the cutting depth is too large and/or the speed too high.

The machine must not be driven faster than that it cuts without "climbing" i.e. that the machine's front wheels lift off from the ground. If the machine "climbs", decrease the trolley feed by turning the lever for the travel feed anticlockwise or raise the blade by turning the blade feed lever clockwise



NOTE!

The operator must always be behind the machine when cutting and within reach of the levers and stop.



WARNING!

Contact with the rotating saw blade can result in serious, physical injury or even death.

Stop cutting

Lift up the cutting bridge to its highest position.

Shut down blade rotation by turning the switch the neutral position.

Turn both the travel feed and blade feed to their neutral positions.

Shut off the water coolant.



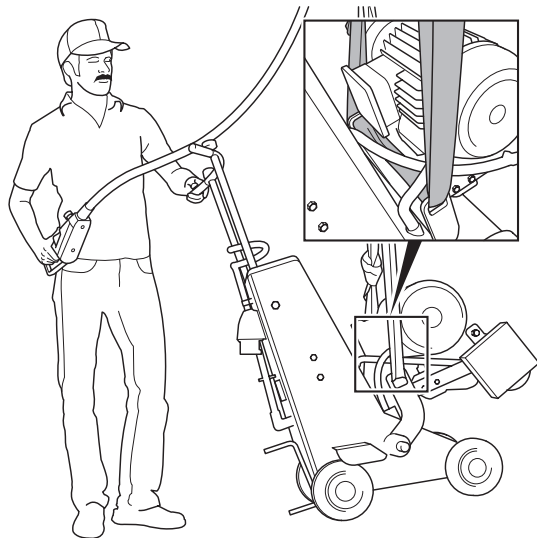
NOTE!

The protective devices are for your own safety, consequently, it is extremely important to check all safety equipment regularly. Should a fault be discovered, please contact your dealer.

Transport

The blade must be removed from the saw during all transport and lifting. If the blade is not removed, there is a risk it will be damaged.

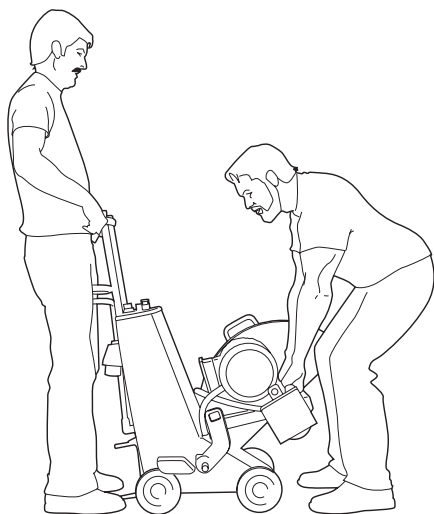
The saw can be lifted in several different ways during transport. When the saw is lifted using a crane, secure the lifting strap in the lifting eyes.



WARNING!

Pay attention to ensure that you or anyone else never stands under a free hanging machine. Should you be hit by a falling machine, this can result in death or serious physical injury.

When the saw is only lifted a little, it can be lifted from the handles and the front lifting stay.



Maintenance

Once cutting has been completed the machine should be cleaned. Make sure that the electrical connection has been disconnected before washing. Avoid spraying water against the electric motor and electrical connections. Use a dish-brush or sponge to clean the machine.



Attention

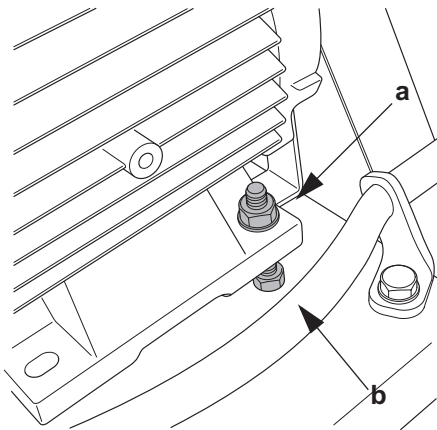
Avoid cleaning the machine with a high pressure washer.

Check the condition of the saw blade regularly for signs of wear or damage. When segments are worn or the width of the segments is nearly the same as the body of the blade, it should be replaced.

Check regularly that electrical cables, couplings, drive belt and screw joints are not damaged.

Check regularly that the drive belt and couplings are not dirty and that the drive belt is not tensioned too little or too much. The guard around the drive belt must be removed in order to check the drive belt tension.

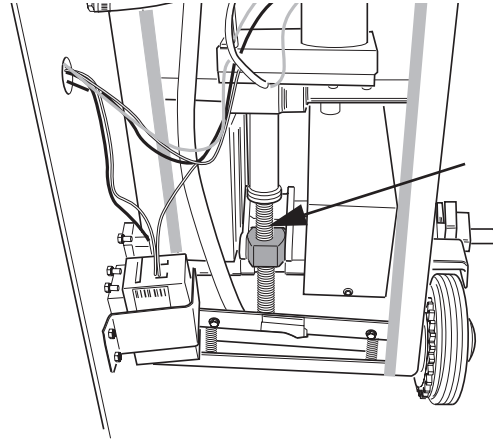
Tension the drive belt, if necessary, by first loosening the nut (a), hold the nut under the base with a spanner and then turn the bolt (b) until the belt is tensioned. When the belt is tensioned, lock by screwing back the nut.



When storing the machine for long periods it must be cleaned carefully and the water tank emptied.

Periodically lubricate the nut for the blade feed. The rear of the machine must be dismantled first to gain access to the nut.

Once the rear has been removed, grease the feed screw a few centimetres above and under the nut.



Refit the rear as follows:

1. Hang the cover from the top edge.
2. Pull a part the cogs that drive the saw forwards by inserting a screwdriver between the cogs and carefully pressing the screwdriver downwards.
At the same time press the rear against the saw's chassis.
3. Refit the screws that hold the rear in position.



WARNING!

The electrical connection must be disconnected before carrying out maintenance repairs and service-work

Trouble shooting



NOTE

Before rectifying a fault, check that all electrical connections are disconnected to prevent the machine from starting during the course of the work.

If a fault occurs, first check whether it coincides with any of the possible faults in the trouble shooting guide below.

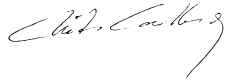
If the fault coincides with one of the fault possibilities in the trouble shooting guide, contact your dealer for further information.

Fault	Cause	Action
The blade rotates in the wrong direction.	The starter knob is defective.	Turn the starter knob in the direction indicated by the lit lamp.
The blade jams.	Drive belt slips. Drive belt dirty. Drive belt worn.	Tension the drive belt. Clean the drive belt. Replace the drive belt.
No water is produced or too little water reaches the blade.	The blade flange is dirty	Clean the blade flange. Increase the water pressure by opening the water tap a little more.
The blade jams.	The blade is worn. The saw blade is clamped. The saw has been fed too hard.	Replace the blade. Support the saw block with braces or a jack. Run with either a lower feed rate or shallower cutting depth.
The motor does not start.	The emergency stop has been switched on. Electrical fault.	Reset the emergency stop. Contact your dealer.
There is no trolley feed.	The drive shaft is not engaged.	Change the foot lever for propulsion so that the drive shaft is engaged.
There is no trolley feed/blade feed.	The feed levers were not reset when the power was connected.	Reset the machine by turning off the blade rotation, pressing down the emergency stop and turning the levers to the neutral position. Wait 3 seconds and then reset the emergency stop button.
There is no blade feed up or down.	The feeder nut has jammed at the end position. The feed nut is dry.	Remove the rear cover and carefully loosen the feed nut by turning the nut at the bottom of the feed screw. Grease the feed axle.
The machine cuts out / does not start blade rotation.	The thermal cut-out on the motor has tripped.	Wait until the motor has cooled. Once the temperature of the motor has dropped the saw is started again as normal.
Both status lamps for blade rotation are on.	A phase is down.	Check the fuses and electrical power cable.

EU declaration of conformity

Husqvarna Construction Products Sweden AB, Box 2098, 550 02 Jönköping, Sweden, tel: 036-570 60 00, hereby declares that its FS 700E floor saw, from serial number 01001 onwards, is manufactured in compliance with the Council's machinery directive 98/37/EC, low-voltage directive 73/23/EEC and EMC directive 89/336/EEC, including subsequent amendments, and that the following standards have been used for guidance: EN 55 014-1, EN 55 014-2, EN 61 000-3-2, EN 50 144-1, EN 13 862.

Jönköping 2005-01-01



Christer Carlberg
Managing Director

Deutsch

Inhalt

Erklärung der Symbole	23
Sicherheitsvorschriften	24
Einleitung	25
Was ist was?	26
Technische Daten	28
Bedienung	29
Vor dem Sägen	29
Einbau/Austausch der Trennscheibe	29
Maschine anschließen	30
Schneiden	31
Schneiden beenden	32
Transport	33
Wartung	34
Fehlersuche	35
EU-Erklärung	38

Erklärung der Symbole

Diese Symbole sind auf der Maschine und in der Bedienungsanleitung angegeben. Um sicher mit der Maschine arbeiten zu können, muss der Bediener ihre Bedeutung verstehen.

Anleitung

Vor der Inbetriebnahme der Maschine lesen Sie die Bedienungsanleitung aufmerksam durch und machen Sie sich mit dem Inhalt vertraut.



Schutzausrüstung

Stets verwenden:

- Zugelassener Schutzhelm
- Zugelassener Gehörschutz
- Zugelassene Schutzbrille oder Gesichtsschutz sowie sonstige erforderliche Schutzausrüstung.



Warnung

Ein großes Warndreieck mit dem Zusatz "Warnung" bedeutet, dass die Gefahr von schweren, sogar lebensgefährlichen Verletzungen besteht..



Achtung

Ein kleines Warndreieck mit dem Zusatz "Achtung" bedeutet, dass die Gefahr von leichteren Verletzungen oder Maschinenschäden besteht.



Anmerkung

Eine Hand mit erhobenem Zeigefinger mit dem Zusatz "Anmerkung" bedeutet, dass ein beschriebener Vorgang zusätzliche Aufmerksamkeit erfordert.



CE

Dieses Symbol weist darauf hin, dass die Maschine den geltenden EG-Richtlinien entspricht.



Stromwarnung

Dieses Symbol warnt vor Hochspannung.



Umweltinformation

Das Symbol auf dem Produkt bzw. auf der Produktverpackung gibt an, dass dieses Produkt nicht als Hausmüll behandelt werden darf. Zur Entsorgung ist es an einen entsprechenden Recycling-Punkt für elektrische und elektronische Geräte zu bringen.

Durch die umweltgerechte Entsorgung dieses Produkts tragen Sie dazu bei, potentielle Folgeschäden an der Umwelt und Gesundheitsschäden zu verhindern.

Ausführlichere Informationen über das Recycling dieses Produkts erhalten Sie auf Wunsch von Ihrem Stadt- oder Gemeinderat, den für die Hausmüllentsorgung zuständigen Behörden oder dem Geschäft, in dem Sie dieses Produkt gekauft haben.



Sicherheitsvorschriften

Bei der Konstruktion und Herstellung von Husqvarna-Produkten wurde neben der Leistungsfähigkeit und Benutzerfreundlichkeit größtes Gewicht auf die Sicherheit gelegt. Folgende Punkte sind zu beachten, um einen sicheren Maschinenbetrieb zu gewährleisten:

- Die Maschine darf ausschließlich unter Befolgung der Sicherheitsvorschriften gestartet werden. Bei Missachtung der Vorschriften seitens des Bedieners haftet Husqvarna Construction Products Sweden AB oder ihre Vertreter weder direkt noch indirekt.

Lesen Sie die Bedienungsanleitung aufmerksam durch und machen Sie sich mit dem Inhalt vertraut, bevor Sie die Maschine benutzen. Sollten Sie sich auch nach Lektüre der Sicherheitsvorschriften nicht über die vorliegenden Sicherheitsrisiken im Klaren sein, dürfen Sie die Maschine nicht benutzen.

Ihr Fachhändler erteilt auf Anfrage gerne weitere Informationen.

- Sicherstellen, dass alle Verbindungen, Anschlüsse und der Trennscheibenschutz unbeschädigt sind.
- Vor der Inbetriebnahme sicherstellen, dass alle Schläuche und Stromkabel korrekt an der Maschine angeschlossen sind.
- Vor und seitlich der Trennscheibe muss ein Sicherheitsabstand von 4 m eingehalten werden.
- Sicherstellen, dass sich im Arbeitsbereich keine Personen oder Tiere aufhalten.
- Sicherstellen, dass Trennscheibenschutz bzw. Trennscheiben-Flanschschutz korrekt montiert sind.
- Stets so arbeiten, dass der Nothalt schnell und einfach zu erreichen ist.
- Niemals die Maschine unbeaufsichtigt mit laufendem Motor stehen lassen.
- Vor dem Schneiden sind alle auszuführenden Schnitte deutlich auf dem Boden zu markieren und zu planen, sodass sie ohne Gefahr für Mensch oder Maschine durchgeführt werden können.
- Anhand von Bauzeichnungen prüfen, ob Stromkabel, Wasser-, Gas- oder Abflussleitungen im Arbeitsbereich verlegt sind.
- Sicherstellen, dass die Stromkabel im Arbeitsbereich nicht stromführend sind.
- Vorsicht beim Heben. Schweres Gerät bedeutet Klemmgefahr und Gefahr für andere Verletzungen.
- Niemals ohne eine persönliche Schutzausrüstung (siehe Bedienungsanleitung) und Schutzkleidung

arbeiten. Keine Kleidung tragen, die sich in den beweglichen Teilen der Maschine verfangen kann.

- Personen, die sich in der Umgebung aufhalten, müssen einen Gehörschutz tragen.
- Mit rotierender Trennscheibe darf die Maschine nicht gedreht, gewendet oder seitlich bewegt werden.
- Nur vom Hersteller empfohlene Trennscheiben verwenden.
- Niemals ohne Trennscheibenschutz schneiden.
- Niemals ohne Kühlwasser schneiden. Von einer unzureichend gekühlten Trennscheibe können sich Segmente lösen. Das Kühlwasser bindet darüber hinaus Betonstaub.
- Niemals beschädigte oder verschlissene Trennscheiben verwenden.
- Die Maschine nur verwenden, wenn sie einwandfrei funktioniert.
- Unfallverhütungsvorschriften, sonstige Sicherheits- und arbeitsmedizinische Vorschriften sind jederzeit zu beachten.
- Die Maschine in einem verschlossenen Raum abstellen, der für Kinder sowie für Erwachsene ohne besondere Ausbildung für die Verwendung der Maschine unzugänglich ist.
- Abgesägte Betonblöcke ausreichend sichern oder verankern. Freigesägte Materialien mit hohem Gewicht können schwere Schäden verursachen, wenn sie nicht kontrolliert bewegt werden können.
- Beim Arbeiten mit den Maschinen muss stets eine weitere Person anwesend sein, die bei Unfällen Hilfestellung leisten kann.



WARNUNG!

Bei Benutzung der Maschine stets zugelassene Schutzkleidung und zugelassene Schutzausrüstung tragen. Schutzkleidung und Schutzausrüstung können die Verletzungsgefahr nicht völlig eliminieren, doch lässt sich im Unglücksfall der Ernst eventueller Verletzungen durch die richtige Kleidung und angemessene Ausrüstung reduzieren. Ihr Händler informiert Sie über empfehlenswerte, zugelassene Schutzausrüstung und -kleidung.

Einleitung

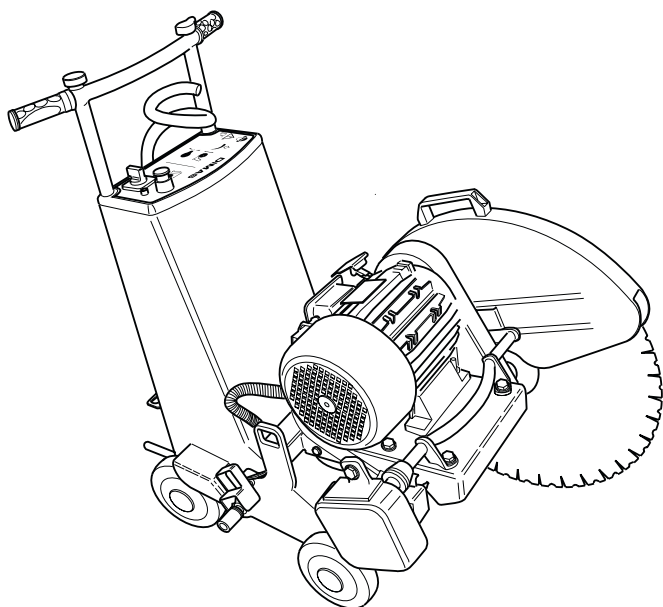
Die FS-Serie ist eine neue Reihe mit elektrischen Boden-Trennschleifern von Husqvarna. Wir wollten eine leistungsfähige, handliche Maschine für das Schneiden in armiertem Beton, Backstein und anderen Steinmaterialien entwickeln. Die Maschine sollte für eine Person leicht zu bedienen sein.

Die FS-Serie ist mit elektrischem Längs- und Tiefenvorschub ausgerüstet. Beide werden mit Reglern bedient, die sich am einstellbaren Handgriff befinden.

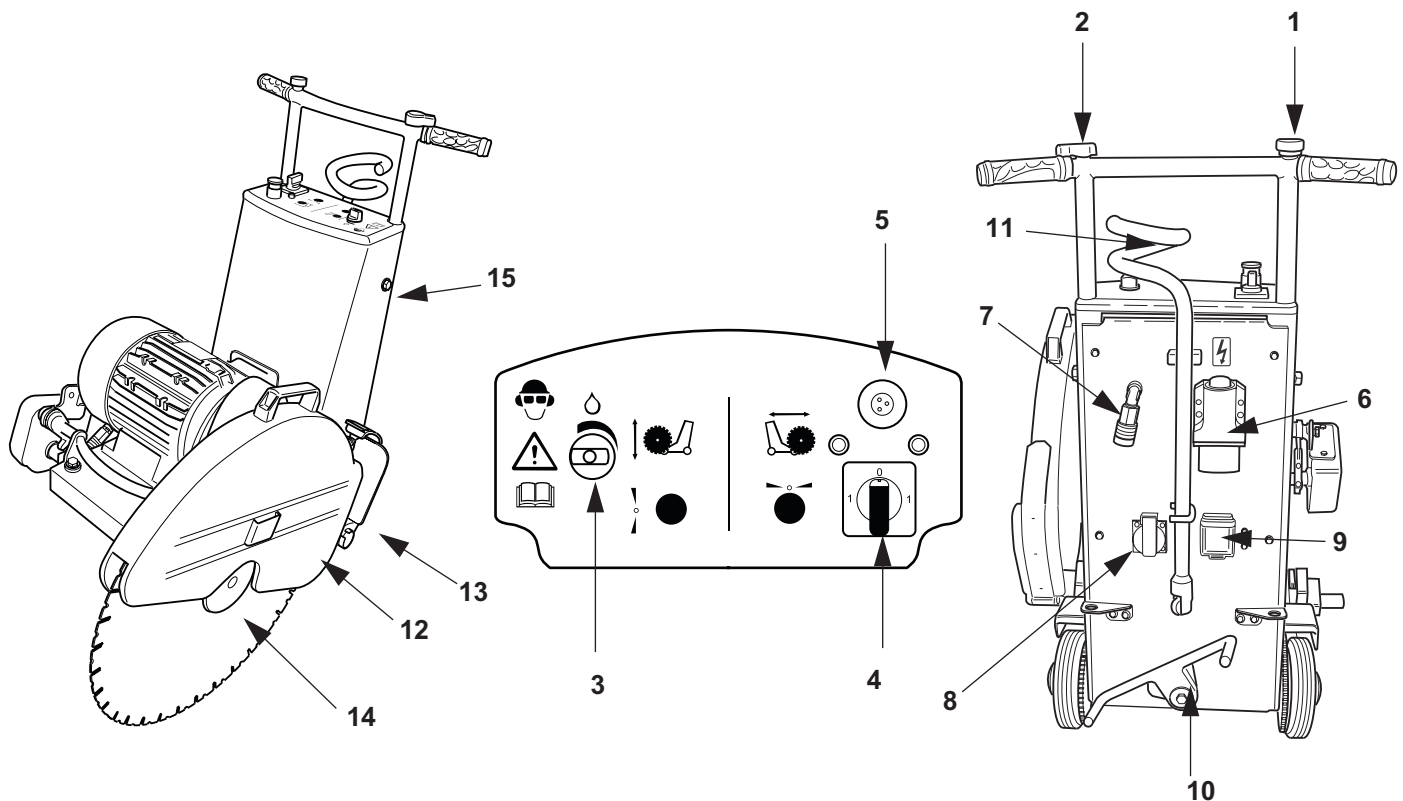
Um den Transport des Trennschneiders zu erleichtern, kann der Handgriff heruntergeklappt und die Schneideinheit auf einfache Art abgenommen werden. So lässt sich das Gerät leichter heben und nimmt beim Transport weniger Platz in Anspruch.

Zum Lieferumfang des Trennschleifers gehören ein Flansch und ein Trennscheibenschutz. Als Zubehör sind ein Flachschnideflansch und ein Flachschnideschutz erhältlich.

Diese Bedienungsanleitung ist aufmerksam durchzulesen, nur so lässt sich die Maschine so effektiv wie möglich einsetzen. Bei Unklarheiten oder Fragen wenden Sie sich bitte an Ihren Händler, bevor Sie die Maschine in Gebrauch nehmen.



Was ist was?



1. Längsvorschubregler

Mit diesem Regler wird der Vorwärtsantrieb geändert. Regler im Uhrzeigersinn drehen, um vorwärts zu fahren. Regler im Gegenuhrzeigersinn drehen, um rückwärts zu fahren. Mit dem Regler in der Nullstellung steht die Maschine still. Diese Funktion ist bereit, sobald die Maschine mit Strom versorgt und der Vorwärtsantrieb aktiviert ist.

2. Tiefenvorschubregler

Mit diesem Regler wird die Schneideinheit angehoben und gesenkt. Der Tiefenvorschub der Trennscheibe erfolgt durch Drehen des Reglers im Gegenuhrzeigersinn. Ist die gewünschte Schnitttiefe erreicht, wird der Regler in die Nullstellung zurückgestellt. Regler im Uhrzeigersinn drehen, um die Trennscheibe anzuheben. Diese Funktion ist bereit, sobald die Maschine mit Strom versorgt ist.

3. Wasserregler

Regler im Gegenuhrzeigersinn drehen, um das Wasserventil zu öffnen. Das Wasser wird durch die Trennscheibenachse und zum Trennscheibenflansch geleitet, wo es die Trennscheibe kühlt und eine Staubbildung verhindert.

4. Startschalter

Wird für den Start der Trennscheibenrotation verwendet.

5. Nothalt

Unterbricht die gesamte Stromzufuhr zur Maschine. Sämtliche Funktionen können erst aktiviert werden, wenn der Nothalt zurückgestellt wird. Der Nothalt wird durch Herausziehen des Knopfs zurückgestellt.

6. Stromanschluss

Für folgenden Stromanschlusstyp:
5-polig, 400 V/16 A

7. Wasseranschluss

Hier wird Kühlwasser an die Maschine angeschlossen.

8. 1-Phasen 230-V-Anschluss

Um 230-V-Werkzeug an die Maschine anzuschließen.

9. Personenschutz

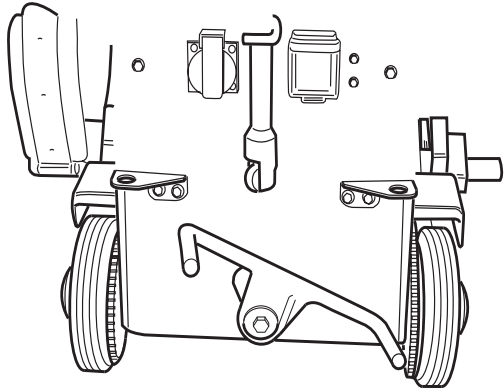
Unterbricht den Strom zum 1-Phasen-Anschluss bei 30 mA Stromverlust.

10. Vorwärtsantrieb/Feststellbremse

Befindet sich der Arm in der abgebildeten Position, ist der Antrieb aktiviert. Befindet sich der Arm in dieser Position und der Längsvorschubregler ist nullgestellt

oder die Maschine ist stromlos, fungiert die Stellung als Feststellbremse.

Wird der Arm in die andere Position bewegt, ist kein Gang eingelegt und die Maschine lässt sich leicht bewegen. Diese Stellung wählen, wenn die Maschine über längere Strecken bewegt werden soll.



11. Schlauchhalter

Durch Verwendung des Schlauchhalters wird vermieden, dass Schläuche und Kabel hinter der Maschine hergezogen werden. Sie befinden sich stattdessen seitlich von der Maschine

12. Trennscheibenschutz

Kann je nach Wunsch auf der rechten oder linken Seite der Maschine angebracht werden. Der Schutz kann in aufrechter Lage mit dem Hebel an der hinteren Kante gesichert werden.

13. Spritzschutz

Um Wasserspritzer und Verschmutzung zu minimieren, ist die Maschine mit einem klappbaren Spritzschutz ausgestattet. Soll der Trennschleifer über längere Strecken transportiert werden, muss der Spritzschutz nach oben geklappt und mit der Feder am Trennscheibenschutz befestigt werden. Beim Schneiden muss der Spritzschutz stets nach unten geklappt sein.

14. Trennscheibenflansch

Um auf einfache Weise die Trennscheibe auf der gewünschten Seite der Maschine montieren zu können, passt der Trennscheibenflansch an beide Seiten.

Der Trennscheibenflansch ohne montierte Scheibe ist mit dem Trennscheibenflanschschutz zu bedecken, der sich bei Lieferung auf der rechten Seite befindet.

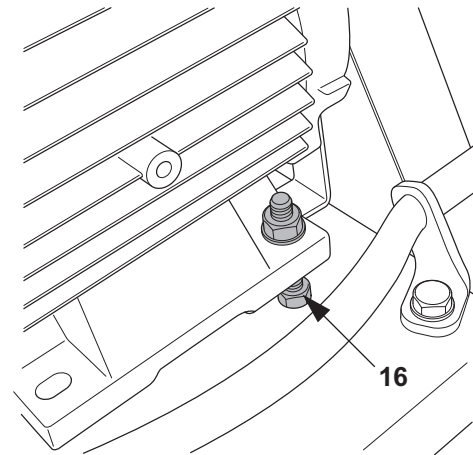
Die Maschine wird mit einem herkömmlichen Trennscheibenflansch geliefert. Ein Flanschschneideflansch ist als Zubehör erhältlich. Die Trennscheibe am Flanschschneideflansch anbringen, wenn der Schnitt an einer Wand liegen soll. Beim Flanschschneiden muss der spezielle Flanschschneideschutz verwendet werden.

15. Handgriffeinstellung

Durch Lösen dieser beiden Schrauben kann der Handgriff auf die gewünschte Höhe eingestellt werden.

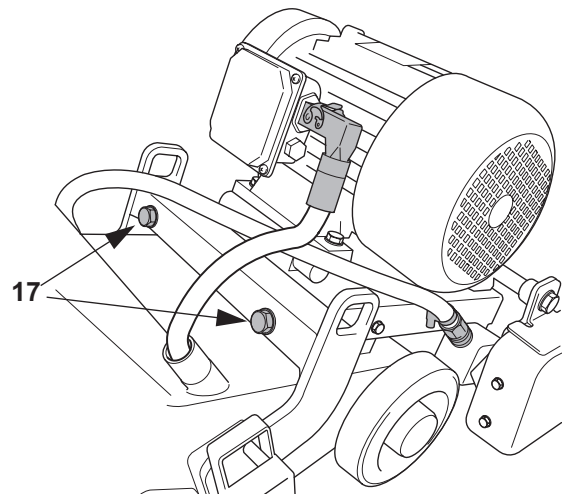
16. Stellschraube

Diese Schraube justieren, um den Antriebsriemen zu spannen.

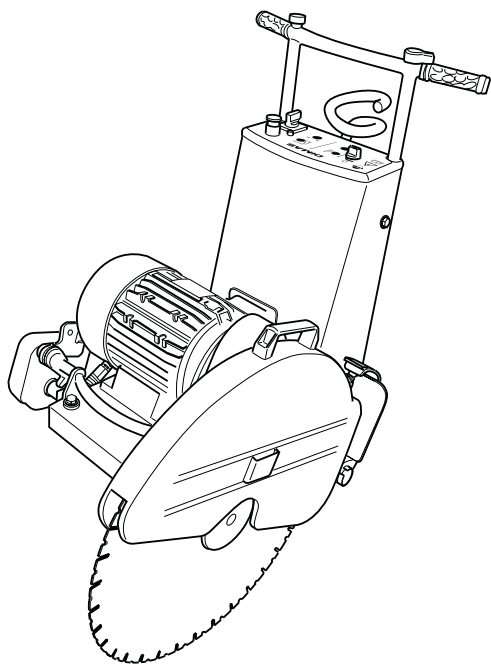


17. Motorhalterung

Durch Lösen dieser beiden Schrauben kann die Schneideinheit mit Motor abgehoben werden, um das Maschinengewicht zu reduzieren.



Technische Daten



Gewicht ohne Trennscheibe: _____	155 kg
Gewicht mit Trennscheibe: _____	150 kg
Motorleistung: _____	7,5 kW
Spannung: _____	400 V/3 Phasen/50 Hz
Strom: _____	16 A
Max. Drehzahl Antriebsachse: _____	1780 U/min
Umfangsgeschwindigkeit, Trennscheibe: _	56 m/s
Max. Trennscheibendurchmesser: _____	725 mm
Max. Schnitttiefe: _____	298 mm

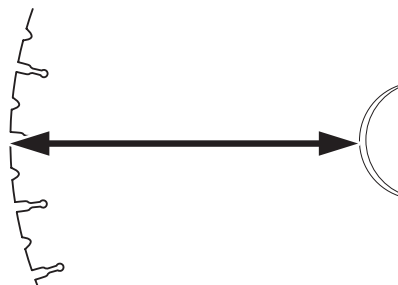
Max. Schnitttiefe:

600 mm (23") Trennscheibendurchmesser 235 mm (9,25")

625 mm (24") Trennscheibendurchmesser 248 mm (9,76")

700 mm (28,6") Trennscheibendurchmesser 285 mm (11,2")

725 mm (29") Trennscheibendurchmesser 298 mm (11,7")



Wir empfehlen, Trennscheiben der Serie Dimas W1100 zusammen mit der Maschine zu verwenden.



ACHTUNG

Bei Unsicherheiten bezüglich der Bedeutung der technischen Daten oder bei der Bestellung von Ersatzteilen sprechen Sie bitte mit Ihrem Händler.



WARNUNG!

Ohne die schriftliche Genehmigung von Husqvarna Construction Products Sweden AB dürfen unter keinen Umständen Veränderungen an der Maschine vorgenommen werden. Unzulässige Änderungen bringen die Gefahr von schweren oder lebensgefährlichen Verletzungen für Sie und andere mit sich. Husqvarna Construction Products Sweden AB haftet nicht für den Umgang mit oder Maßnahmen an der Maschine, die diesen Anweisungen nicht folgen.

Bedienung

Vor dem Sägen



ACHTUNG!

Sicherheitsvorschriften beachten.

Sicherstellen, dass das richtige Anschlusskabel für den Trennschleifer zur Verfügung steht.

Sicherstellen, dass der Kühlwasseranschluss des Schlauchs mit dem an der Maschine übereinstimmt.

Den zu schneidenden Bereich einzäunen, damit keine unbeteiligten Personen zu Schaden kommen oder den Bediener bei der Arbeit stören können.

Vor dem Schneiden sind alle auszuführenden Schnitte deutlich auf dem Boden zu markieren und zu planen, sodass sie ohne Gefahr für Mensch oder Maschine durchgeführt werden können.

Um Unterbrechungen und kritische Momente beim Schneiden zu vermeiden, ist die Arbeit so zu planen, dass die Trennscheibe von Anfang an auf der am besten geeigneten Seite angebracht wird.

Sicherstellen, dass die korrekte Trennscheibe für die Maschine und für den zu sägenden Untergrund verwendet wird. Siehe Technische Daten.

Sicherstellen, dass die Trennscheibe nicht verschlissen ist. Eine verschlissene Trennscheibe ist daran zu erkennen, dass die Resthöhe des Diamantsegments nur 2-3 mm beträgt oder das Segment nicht breiter ist als das Stammblatt.

Sicherstellen, dass der Trennscheibenschutz nicht defekt ist. Ein schadhafter Trennscheibenschutz darf niemals verwendet werden.

Erst wenn Sie sich über die Funktion der Bedienelemente der Maschine im Klaren sind, dürfen Sie die Maschine starten.

Darauf achten, dass der Nothalt nicht blockiert wird. Der Nothalt darf beim Betrieb nicht blockiert oder überdeckt werden.

Sicherstellen, dass Längs- und Tiefenvorschubregler in Nullstellung sind.

Alle fremden Gegenstände entfernen, die Maschine oder Umgebung beschädigen können und im Weg sind.

Sicherstellen, dass sich keine Unbefugten innerhalb der Sicherheitszone befinden, d. h. 4 m vor oder seitlich von der Maschine.

Sicherstellen, dass Personen, die sich in der Umgebung der Maschine aufhalten, Gehörschutz und Schutzbrille tragen.

Die Maschine so bewegen, dass die Trennscheibe der zuvor markierten Schnittlinie folgt.

Schutzausrüstung und Schutzkleidung müssen intakt sein.

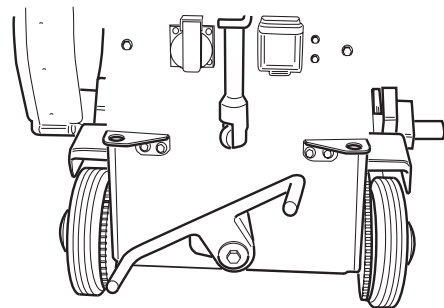


WARNUNG!

Genau prüfen, dass alle Strom-, Wasser- und Gasleitungen im Schnittbereich markiert sind. Sollte beim Schneiden eine volle Gasleitung getroffen werden, ist dies absolut lebensgefährlich.

Einbau/Austausch der Trennscheibe

- Schneideinheit in die höchste Position bringen.
- Stromzufuhr unterbrechen.
- Vorwärtsantrieb der Maschine aktivieren, dazu den Arm in die abgebildete Stellung bringen.

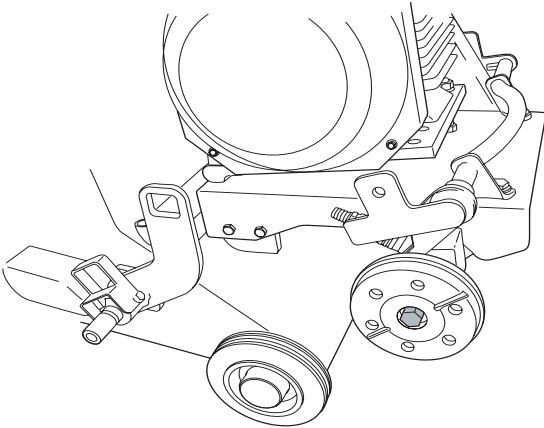


- Trennscheibenschutz hochklappen und in dieser Position mit dem Trennscheibenschutzhalter sichern.
- Trennscheibenflansche säubern und sicherstellen, dass sie unbeschädigt sind.
- Trennscheibe einbauen und darauf achten, dass die Drehrichtung mit dem Pfeil auf dem Trennscheibenschutz übereinstimmt. Ist die Drehrichtung nicht auf dem Stammblatt angegeben, wird die Drehrichtung der Trennscheibe mithilfe des Verschleißes der Diamantsegmente bestimmt, wobei der freigelegte Teil des Diamanten in Drehrichtung liegt.
- Trennscheibenflansch mit dem beiliegenden Schlüssel fest anziehen, sodass er richtig fest sitzt. Mindestens 70 Nm.

- Trennscheibenschutz herunterklappen.
- Trennscheibe von Hand drehen und sicherstellen, dass sie sich frei und leicht drehen lässt und keine ungewöhnlichen Geräusche auftreten. Auch darauf achten, dass die Trennscheibe gerade sitzt. Niemals mit einer defekten Trennscheibe arbeiten.



Anmerkung



Daran denken, dass die Schraube, die den rechten Trennscheibenflansch hält, ein Linksgewinde hat.

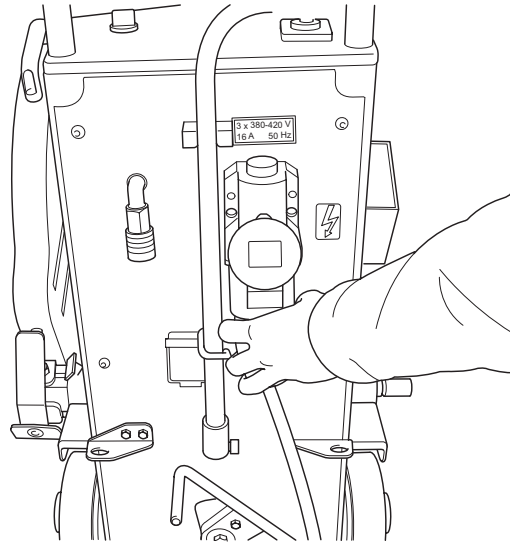


Anmerkung

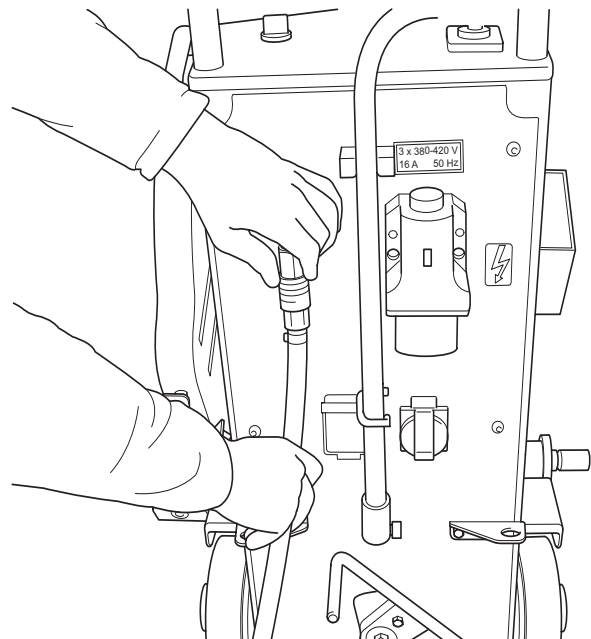
Die Trennscheibe sollte primär auf der linken Maschinenseite montiert werden. Die Montage auf der rechten Seite führt zu einer Beeinträchtigung der Motorkühlung.

Maschine anschließen

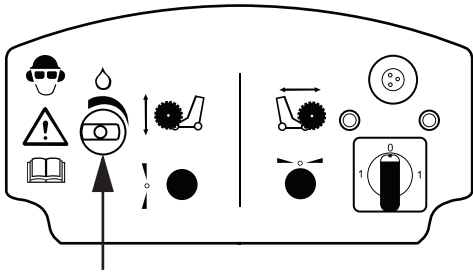
Stromkabel (400 V/16 A/3 Phasen/50 Hz) anschließen.



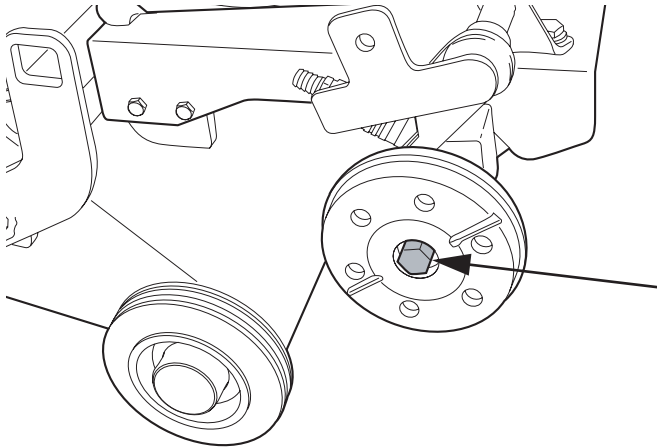
Kühlwasserschlauch mit dem vorgesehenen Anschluss verbinden.



Kühlwasser aufdrehen, sodass eine ausreichende Kühlung erzielt und die Staubbildung vermieden wird.

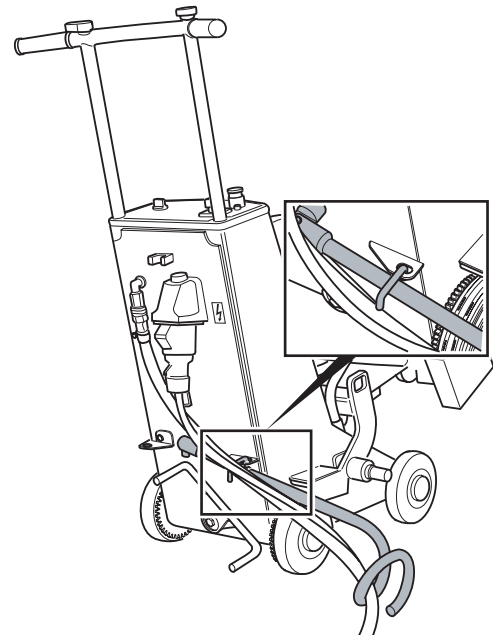


Für eine reichliche Wasserzufuhr sorgen und darauf achten, dass die Düsen nicht verstopft sind. Auch sicherstellen, dass sich die Stoppschraube an dem Ende der Trennscheibenachse befindet, an dem keine Trennscheibe angeschraubt ist.



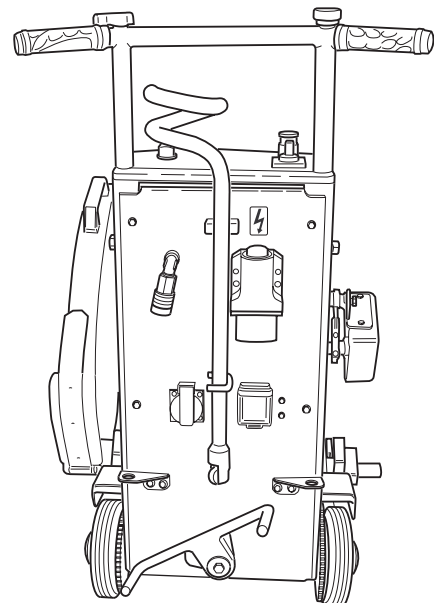
Die Trennscheibe muss sich frei drehen können, bevor die Maschine gestartet wird.

Sicherstellen, dass Stromkabel und Wasserversorgung nicht unter die Maschine geraten oder im Weg sein können; dazu den Schlauchhalter verwenden.

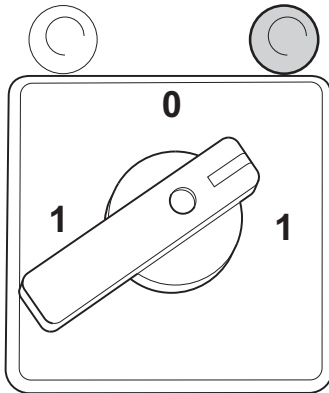


Schneiden

Vorwärtsantrieb aktivieren, dazu den Arm mit dem Fuß in die abgebildete Stellung bringen. Die Maschine bewegt sich erst wieder, wenn der Regler für den Längsvorschub aus der Nullstellung bewegt wird.



Den Schalter in Richtung der leuchtenden Lampe drehen, dann setzt die Rotation der Trennscheibe ein. Wird der Schalter in die falsche Richtung gedreht, dreht sich auch die Trennscheibe in der falschen Richtung.



Regler für den Tiefenvorschub in Richtung Bediener drehen und die Trennscheibe so einführen, dass eine dem Bodenmaterial entsprechende Tiefe erreicht wird, jedoch mindestens 20 mm.

Mit gleichmäßiger Geschwindigkeit eine Führungsnut in dieser Tiefe und entlang der gesamten zuvor markierten Linie schneiden. Ist die komplette Führungsnut geschnitten, Trennscheibe anheben, Kühlwasser abschalten und Trennscheibenrotation anhalten. Maschine zum Startpunkt zurückfahren.

Maschine nach der Führungsnut neu einstellen und wie oben beschrieben starten.

Trennscheibe auf eine geeignete Schnitttiefe senken (5-10 cm). Die Schnitttiefe richtet sich nach dem Bodenmaterial und der Geschwindigkeit.

Faustregel: Neigt die Maschine zum "Klettern" aus der Führungsnut, ist die Schnitttiefe zu groß und/oder die Geschwindigkeit zu hoch.

Die Maschine darf nicht schneller gefahren werden, als sie ohne zu "Klettern" schneidet, d. h. die Vorderräder heben sich vom Boden ab. Wenn die Maschine "klettert", den Regler für den Längsvorschub im Gegenuhrzeigersinn drehen, um den Längsvorschub zu senken, oder den Regler für den Tiefenvorschub im Uhrzeigersinn drehen, um die Trennscheibe anzuheben.



ACHTUNG!

Beim Schneiden muss sich der Bediener die gesamte Zeit über hinter der Maschine und in Reichweite von Bedienelementen und Nothalt befinden.



WARNUNG!

Ein Kontakt mit der sich drehenden Trennscheibe kann zu schweren Verletzungen und sogar zum Tod führen.

Schneiden beenden

Schneideinheit in die höchste Position bringen.

Den Schalter in die Nullstellung drehen, um die Trennscheibenrotation auszuschalten.

Längs- und Tiefenvorschub auf Null stellen.

Kühlwasser abschalten.



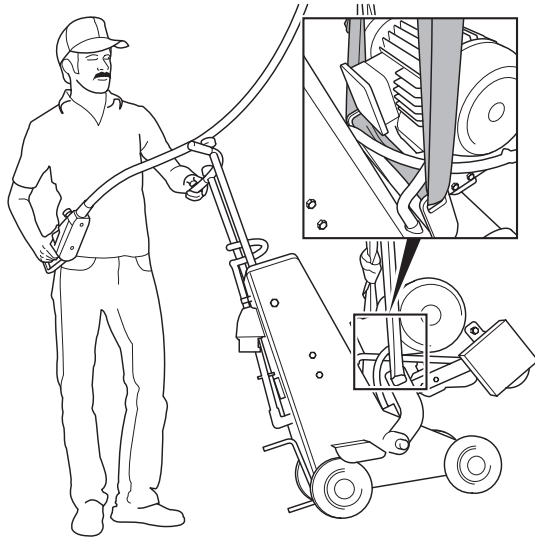
ACHTUNG!

Die Schutzvorrichtungen dienen Ihrer Sicherheit, sie sollten daher regelmäßig kontrolliert werden. Bei Störungen den Händler kontaktieren.

Transport

Beim Transport und beim Heben muss die Trennscheibe stets ausgebaut sein. Wird die Trennscheibe nicht entfernt, ist sie der Gefahr von Beschädigungen ausgesetzt.

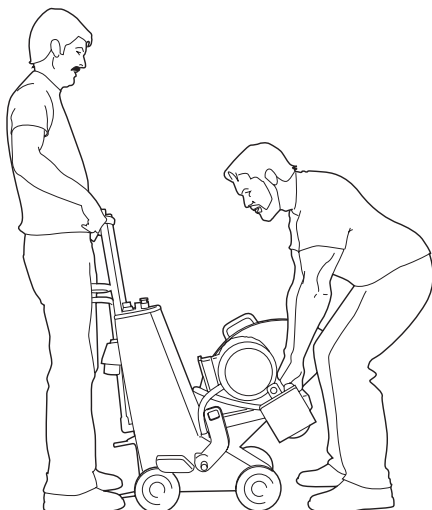
Beim Transport kann der Trennschleifer auf mehrere Arten angehoben werden. Soll der Trennschleifer mithilfe eines Krans bewegt werden, sind die Hebebänder an den Hebeösen zu befestigen.



WARNUNG!

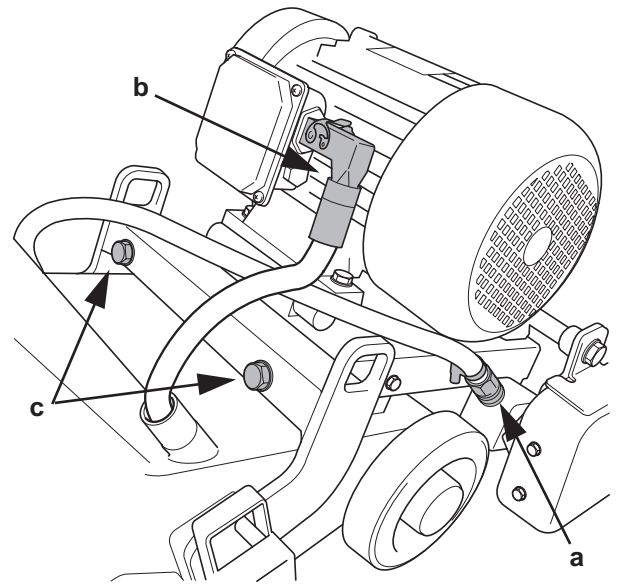
Es dürfen sich niemals Personen unter einer frei hängenden Maschine befinden. Eine fallende Maschine kann tödliche oder schwere Verletzungen zur Folge haben.

Soll der Trennschleifer nur über eine kürzere Strecke gehoben werden, kann er am Handgriff und an der vorderen Hubstange angehoben werden.



Um das Gewicht der Maschine zu reduzieren, kann die Schneideinheit mit montiertem Elektromotor abgenommen werden.

1. Sicherstellen, dass die Trennscheibe nicht montiert ist.
2. Schneideinheit in die tiefste Position bringen.
3. Wasserschlauch (a) und Stromanschluss (b) von der Schneideinheit lösen.
4. Die beiden Schrauben (c) der Schneideinheit lösen und die Einheit abheben.



ACHTUNG

Daran denken, dass die falsche Hebetechnik Ihrem Rücken schaden kann. Deshalb auf eine korrekte Hebetechnik achten.

Wenn die Schneideinheit wieder angebracht werden soll, die Einheit auf den Sägewagen stellen und in die Schraublöcher einpassen. Um das Einpassen zu erleichtern, sind an der Unterseite der Schneideinheit zwei Kunststoffklötze angebracht.

Wartung

Nach dem Schneidvorgang ist die Maschine zu reinigen. Vor der Reinigung ist der Stromanschluss zu trennen. Elektromotor und elektrische Anschlüsse dürfen nicht mit Wasser in Kontakt kommen. Zum Reinigen der Maschine eine Spülbürste oder einen Schwamm verwenden.



Anmerkung

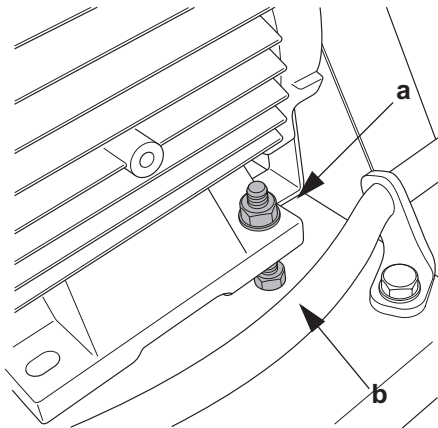
Die Maschine nicht mit Hochdruck reinigen.

Den Zustand der Trennscheibe regelmäßig kontrollieren, sie darf nicht verschlissen oder beschädigt sein. Bei verschlissenen Segmenten oder wenn sich die Segmentbreite der Stamblattbreite annähert, ist sie auszutauschen.

Regelmäßig Stromkabel, Anschlüsse, Antriebsriemen und Schraubverbindungen auf Unversehrtheit überprüfen.

Regelmäßig dafür sorgen, dass Antriebsriemen und Anschlüsse nicht verschmutzt sind und der Antriebsriemen die korrekte Spannung hat. Für die Kontrolle der Antriebsriemenspannung muss der Schutz um den Riemen zuerst ausgebaut werden.

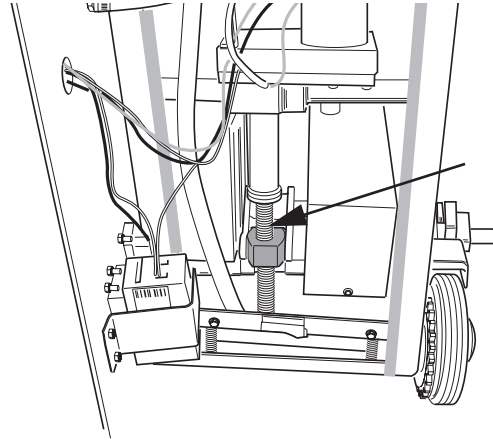
Antriebsriemen bei Bedarf wie folgt spannen: Mutter (a) lösen, Mutter unter dem Sockel mit einem Schlüssel festhalten und dann die Schraube (b) drehen, bis der Riemen gespannt ist. Die korrekte Riemenspannung anschließend durch Aufschrauben der Mutter sichern.



Bei einer längeren Aufbewahrung muss die Maschine sorgfältig gereinigt und das Wasser abgelassen werden.

Die Vorschubmutter muss in regelmäßigen Abständen geschmiert werden. Die Mutter wird zugänglich, nachdem die Maschinenrückseite entfernt wurde.

Bei ausgebaute Rückseite die Vorschubschraube ein paar Zentimeter über und unter der Mutter einfetten.



Die Rückseite wie folgt wieder anbringen:

1. Klappe an der Oberkante einhängen.
2. Die Zahnräder für den Vorwärtsantrieb auseinanderdrücken, dazu einen Meißel zwischen die Zahnräder stecken und vorsichtig nach unten drücken. Gleichzeitig die Rückseite an das Gestell des Trennschleifers drücken.
3. Die Befestigungsschrauben der Rückseite wieder anbringen.



WARNUNG!

BEI ALLEN WARTUNGS-, REPARATUR- UND SERVICEARBEITEN MUSS DER STROMANSCHLUSS GETRENNT SEIN.

Fehlersuche



ACHTUNG

Vor fehlerbehebenden Maßnahmen sicherstellen, dass alle Stromanschlüsse getrennt sind, um ein versehentliches Starten der Maschine während der Arbeit zu vermeiden.

Bei Störungen ist in erster Hand zu untersuchen, ob der Fehler einer der u. a. ist.


Ist der Fehler nicht im nachstehenden Schema aufgelistet, wenden Sie sich bitte an Ihren Händler für weitere Informationen.

Fehler	Ursache	Maßnahme
Trennscheibe dreht sich in die falsche Richtung.	Startschalter steht falsch.	Startschalter in die Richtung drehen, die von der leuchtenden Lampe angezeigt wird.
Trennscheibe festgefahren.	Antriebsriemen rutscht durch. Antriebsriemen schmutzig. Antriebsriemen verschlissen.	Antriebsriemen spannen. Antriebsriemen reinigen. Antriebsriemen austauschen.
Kein/zu wenig Wasser zur Trennscheibe.	Schmutz im Trennscheibenflansch.	Trennscheibenflansch reinigen. Wasserdruck durch Aufdrehen der Wasserventile erhöhen.
Trennscheibe festgefahren.	Trennscheibe verschlissen. Trennscheibe klemmt. Trennschleifer zu hart gefahren.	Trennscheibe austauschen. Sägeblock mit Stützen oder Winde unterstützen. Mit geringerem Längsvorschub oder geringerer Schnitttiefe arbeiten.
Motor startet nicht.	Nothalt aktiviert. Stromfehler.	Nothalt rückstellen. Händler kontaktieren.
Vorwärtsantrieb funktioniert nicht.	Vorwärtsgang nicht eingelegt.	Arm für den Vorwärtsantrieb umlegen, um den Vorwärtsgang zu aktivieren.
Vorwärtsantrieb/Tiefenvorschub funktioniert nicht.	Vorschubregler beim Einschalten des Stroms nicht nullgestellt.	Trennscheibenrotation ausschalten und Maschine nullstellen, Nothalt drücken und Regler in Nullstellung drehen. 3 sek warten und Nothaltknopf wieder rückstellen.
Höhen-/Tiefenvorschub funktioniert nicht.	Vorschubmutter in Endstellung verklemmt. Vorschubmutter trocken.	Hintere Klappe abnehmen und Vorschubmutter vorsichtig lösen, dazu die Mutter ganz unten an der Vorschubschraube drehen. Vorschubachse einfetten.
Die Maschine unterbricht/startet die Trennscheibenrotation nicht.	Temperatursensor im Motor hat ausgelöst.	Dem Motor Zeit zum Abkühlen geben. Nach dem Abkühlen des Motors wird der Trennschleifer wie üblich gestartet.
Beide Anzeigelampen für die Trennscheibenrotation leuchten.	Eine Phase fehlt.	Sicherungen und Kabel überprüfen.

EU-Erklärung

Husqvarna Construction Products Sweden AB, Box 2098, SE-550 02 Jönköping, Schweden, Tel.: + 46 (0)36 570 60 00 bescheinigt hiermit, dass die Herstellung des Trennschleifers FS 700E ab dem 1. Januar 2001 folgenden Richtlinien des Rates einschließlich aller Änderungen entspricht: 98/37/EG über Maschinen, 73/23/EWG „Niederspannungsrichtlinie“ und 89/336/EWG über elektromagnetische Verträglichkeit. Folgende Standards dienen als Grundlage: EN 55 014-1, EN 55 014-2, EN 61 000-3-2, EN 50 144-1, EN 13 862.

Jönköping, den 01.01.2005



Christer Carlberg
Geschäftsführer

Nederlands

Inhoudsopgave

Verklaring van de symbolen	41
Veiligheidsinstructies	43
Inleiding	45
Wat is wat	47
Technische gegevens	49
Gebruik	51
Voor het zagen	51
Monteren/Vervangen van schijf	51
De machine aansluiten	52
Zagen	53
Zagen beëindigen	54
Transport	55
Onderhoud	56
Opsporen van storingen	57
EU-verklaring	59

Verklaring van de symbolen

Onderstaande symbolen komen voor op de machine en in het handboek voor de machine. Om op een veilige manier met de machine te kunnen werken is het belangrijk dat de gebruiker hun betekenis begrijpt.

Boek

Neem de gebruiksaanwijzing grondig door en start de machine niet voor u alles duidelijk hebt begrepen.



Beschermingsuitrusting

Draag altijd:

- Goedgekeurde veiligheidshelm.
- Goedgekeurde gehoorbescherming.
- Goedgekeurde veiligheidsbril of vizier, en andere noodzakelijke beschermingsuitrusting.



Waarschuwing

Een grotere waarschuwingsdriehoek met daarop "Waarschuwing" betekent dat het risico bestaat van ernstig persoonlijk letsel of zelfs overlijden.



Opgelet

Een kleinere waarschuwingsdriehoek met daarop "Opgelet" betekent dat het risico bestaat van minder ernstig persoonlijk letsel of beschadigingen aan de machine.



Opmerking

Een hand met uitgestoken wijsvinger en daarbij "Opmerking" betekent dat een beschreven moment extra aandacht vereist.



CE

Dit symbool geeft aan dat de machine overeenstemt met geldende EG-richtlijnen.



ELEKTRICITEITS-waarschuwing

Dit symbool waarschuwt voor de aanwezigheid van hoge spanning.



Informatie met betrekking tot het milieu

Het symbool op het product of de verpakking betekent dat dit product niet mag worden behandeld als gewoon huishoudelijk afval, maar in plaats daarvan moet worden ingeleverd bij het punt voor recycling van elektrische en elektronische apparatuur.

Door dit product correct te verwijderen helpt u om de negatieve gevolgen die een verkeerde verwerking van dit product kan hebben voor het milieu en de gezondheid te voorkomen.

Voor verdere informatie over recycling van dit product kunt u contact opnemen met uw gemeente, de relevante dienst voor de verwerking van huishoudelijk afval of de winkel waar u het product hebt gekocht.



Veiligheidsinstructies

Bij de constructie en productie van Husqvarna producten hebben we veel aandacht geschonken aan het feit dat ze, naast efficiënt en eenvoudig te hanteren, ook veilig moeten zijn. Opdat de machine veilig blijft, moeten onderstaande zaken in acht worden genomen:

- Let op dat de machine absoluut niet mag worden gestart zonder dat de veiligheidsinstructies worden gevolgd. Indien de gebruiker dit niet doet, draagt Husqvarna Construction Products Sweden AB of diens vertegenwoordiging geen enkele aansprakelijkheid, direct of indirect.

Lees deze gebruiksaanwijzing door en zorg ervoor dat u de inhoud begrijpt voor u de machine gaat gebruiken. Wanneer u, nadat u deze veiligheidsinstructies hebt gelezen, nog niet zeker bent over de veiligheidsrisico's die er zijn, moet u de machine niet gebruiken.

Neem contact op met uw dealer wanneer u meer informatie nodig hebt.

- Controleer of alle koppelingen, aansluitingen en de schijfbeschermer heel zijn.
- Zorg ervoor dat alle slangen en elektriciteitsleidingen op de juiste manier op de machine zijn aangesloten voor u de machine start.
- De veiligheidsafstand is 4 m voor en naast de zaag.
- Zorg ervoor dat er geen personen of dieren binnen het werkgebied aanwezig zijn.
- Controleer of de schijfbescherming resp. kap voor de zaagflens goed zijn gemonteerd.
- Zaag nooit zo dat u niet op eenvoudige wijze bij de noodstop kunt komen.
- Laat de machine nooit zonder toezicht achter met draaiende motor.
- Voor het zagen moeten alle sneden, die moeten worden gemaakt, duidelijk op de vloer worden aangegeven en gepland, zodat dit zonder gevaar voor mens of machine kan worden uitgevoerd.
- Controleer aan de hand van de bouwtekeningen of er elektrische leidingen, waterleidingen, gasleidingen of afvoerleidingen binnen het werkgebied liggen.
- Controleer of de elektrische leidingen binnen het werkgebied stroomloos zijn.
- Wees voorzichtig met tillen. U gaat om met zware delen wat risico van beknelling en ander letsel inhoudt.
- Persoonlijke beschermingsuitrusting volgens de gebruiksaanwijzing en veiligheidskleding moeten altijd worden gebruikt. Kleding, die vast kan komen zitten in

de bewegende delen van de machine, mag niet worden gebruikt.

- Mensen die zich in de omgeving ophouden, dienen gehoorbescherming te dragen.
- De machine mag niet worden gedraaid, gezwaaid of naar de zijkant worden verplaatst wanneer de schijf draait.
- Gebruik alleen schijven die door de producent worden aangeraden.
- Zaag nooit zonder schijfbeschermer.
- Zaag nooit zonder koelwater. Een slecht gekoelde schijf kan ertoe leiden dat segmenten van de schijf losraken. Het koelwater bindt zelfs betonstof.
- Gebruik nooit een beschadigde of versleten schijf.
- Gebruik de machine niet als deze niet naar behoren functioneert.
- Bepalingen ter voorkoming van ongelukken, andere veiligheidsbepalingen en beroepsmedische richtlijnen moeten altijd worden gevolgd.
- Bewaar de machine in een afgesloten ruimte, waar deze niet toegankelijk is voor kinderen en volwassenen die niet hebben geleerd hoe ze met de machine moeten omgaan.
- Zeker of veranker losgezaagde betonblokken goed. Het grote gewicht van het materiaal dat wordt losgezaagd kan tot groot letsel leiden als het niet gecontroleerd wordt verplaatst.
- Zorg er altijd voor dat er nog iemand aanwezig is wanneer u de machine gebruikt, zodat u om hulp kunt roepen mocht een ongeluk plaatsvinden.



WAARSCHUWING!

Gebruik altijd goedgekeurde beschermingskleding en goedgekeurde beschermingsuitrusting wanneer u de machine gebruikt. Beschermingskleding en beschermingsuitrusting kunnen het risico van ongelukken niet geheel uitsluiten, maar door het dragen van de juiste kleding en de juiste uitrusting kunt u wellicht de ernst van eventuele verwondingen reduceren, mocht een ongeluk plaatsvinden. Vraag uw dealer welke goedgekeurde beschermingskleding en welke goedgekeurde beschermingsuitrusting hij aanraadt.

Inleiding

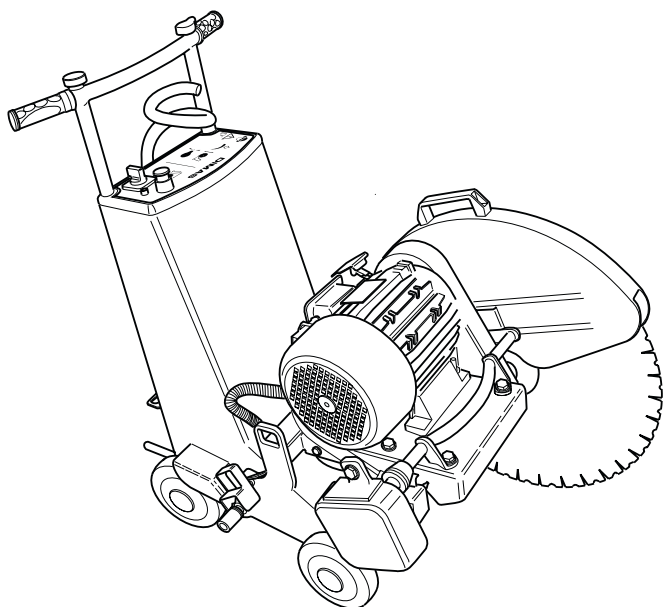
De FS-serie is een nieuwe serie elektrische vloerzagen van Husqvarna. Met deze ontwikkeling hadden wij voor ogen een krachtige, maar toch gemakkelijk te hanteren machine te maken om in gewapend beton, baksteen en ander steenmateriaal te zagen. De machine moet ook gemakkelijk te hanteren zijn voor één persoon.

De FS-serie heeft zowel elektrische langs beweging als invoer. Deze worden beide gestuurd door hendels die op de verstelbare handgreep zijn gemonteerd.

Om transport van de vloerzaag te vergemakkelijken kan de handgreep ingeklapt worden en het zaagplatform kan op een eenvoudige manier losgehaald worden. Hierdoor wordt het tillen lichter en neemt de zaag minder ruimte in tijdens transport.

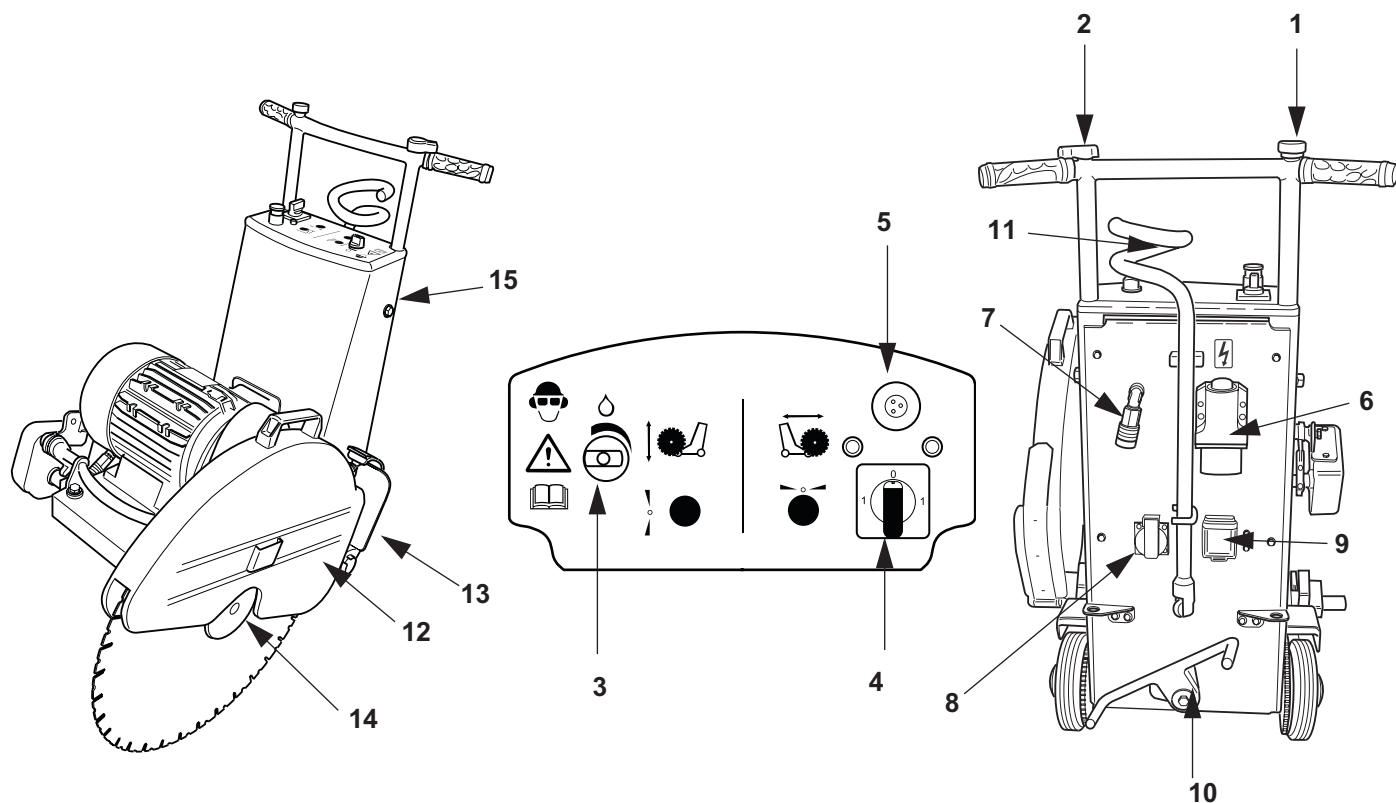
Een zaag wordt geleverd met een flens en een schijfbeschermer. Als accessoire zijn een vlakzaagflens en een vlakzaagschijfbeschermer verkrijgbaar.

Om deze machine zo efficiënt mogelijk te kunnen gebruiken, is het belangrijk dat u als gebruiker deze handleiding zorgvuldig doorleest. Mochten er op een bepaald punt onduidelijkheden bestaan, moet u dit met uw leverancier opnemen voor u de machine in gebruik neemt.





Wat is wat



1. Hendel voor langsbeweging

Met deze hendel wijzigt u de aandrijving van de machine. De machine gaat naar voren door de hendel met de klok mee te draaien. Als de hendel tegen de klok in wordt gedraaid, gaat de machine achteruit. Wanneer de hendel in de nulstand staat, staat de machine stil. Deze functie werkt zodra de machine op stroom is aangesloten en de aandrijving van de machine is ingeschakeld.

2. Invoerhendel

Met deze hendel verhoogt of verlaagt u het zaagplatform. De schijf gaat naar beneden door de hendel tegen de klok in te draaien. Wanneer u de gewenste zaagdiepte hebt verkregen, zet u de hendel weer in nulstand. U brengt de schijf omhoog door de hendel met de klok mee te draaien. Deze functie werkt zodra u de machine op stroom hebt aangesloten.

3. Waterhendel

Door deze hendel tegen de klok in te draaien opent u de waterklep. Het water gaat door de as van de schijf naar de zaagflens waar het water de schijf koelt en stofvorming voorkomt.

4. Startknop

Wordt gebruikt om het draaien van de schijf te starten.

5. Noodstop

Onderbreekt alle stroom naar de machine. Geen enkele functie werkt voordat u de noodstop weer reset. U reset de noodstop door de knop uit te trekken.

6. Elektrische aansluiting

Voor het aansluiten van elektrische schakelingen van het type:

5-polig 400 V/16 A.

7. Wateraansluiting

Hier sluit u het koelwater op de machine aan.

8. Een-fase 230 V uitgang

Om 230 V gereedschap op de machine aan te sluiten.

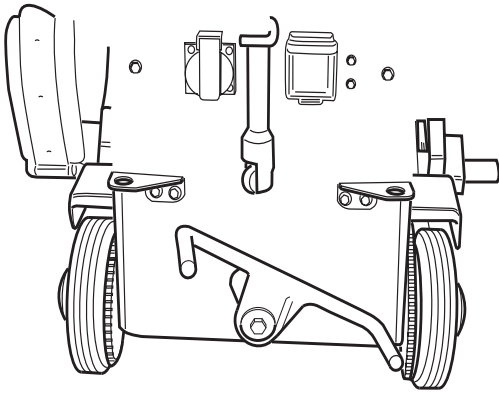
9. Persoonlijke bescherming

Onderbreekt de stroom naar de een-fase uitgang bij 30 mA aardfout.

10. Aandrijving/Parkeerrem

Wanneer de arm in de stand staat, die op de afbeelding te zien is, is de aandrijving ingeschakeld. Als de arm in deze stand staat en de hendel voor langsbeweging staat op nul of als er geen stroom ingeschakeld is, werkt deze stand als parkeerrem.

Als de arm in de andere stand wordt gezet, is er geen versnelling ingeschakeld en kunt u de machine gemakkelijk verplaatsen. Gebruik deze stand als u de machines over langere afstanden moet verplaatsen.



11. Slanghouder

Door het gebruik van de slanghouder voorkomt de gebruiker dat slangen en kabels achter de machine aan slepen. In plaats daarvan zullen ze naast de machine liggen.

12. Schijfbeschermer

Kan naar wens zowel aan de rechter- als de linkerkant van de machine worden gemonteerd. De schijfbeschermer kan rechtop worden vastgezet door de hendel aan de achterkant van de kap te gebruiken.

13. Spatbescherming

Om waterspatten en vies worden van de machine te minimaliseren, is de machine uitgerust met een opklapbare spatbescherming. Als u de zaag over langere afstanden wilt verplaatsen, moet u de spatbescherming opklappen en met de veer op de schijfbeschermer vastmaken. Tijdens het zagen moet de spatbescherming altijd ingeklapt zijn.

14. Zaagflens

Om de schijf gemakkelijk te kunnen monteren aan de machinekant naar keuze, past de zaagflens op beide kanten van de machine.

De zaagflens, waarop geen schijf is gemonteerd, moet u afdekken met de flenskap, die bij levering aan de rechterkant is gemonteerd.

De machine wordt geleverd met een normale zaagflens. Een flens om vlak te zagen is verkrijgbaar als optie. Monteer de schijf op de vlakzaagflens, wanneer de snede vlakbij een muur moet liggen. Bij vlakzagen moet u speciale schijfbeschermers gebruiken.

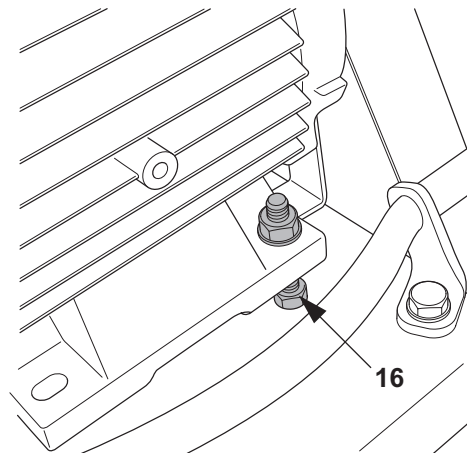
15. Handgreepinstelling

Door deze twee schroeven los te draaien kan de hoogte van de handgreep worden ingesteld op de

meeste geschikte hoogte.

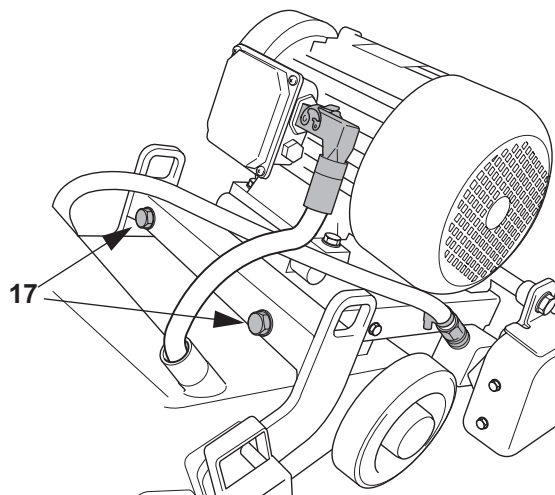
16. Stelschroef

Stel deze schroef af om de aandrijfriem op te spannen.

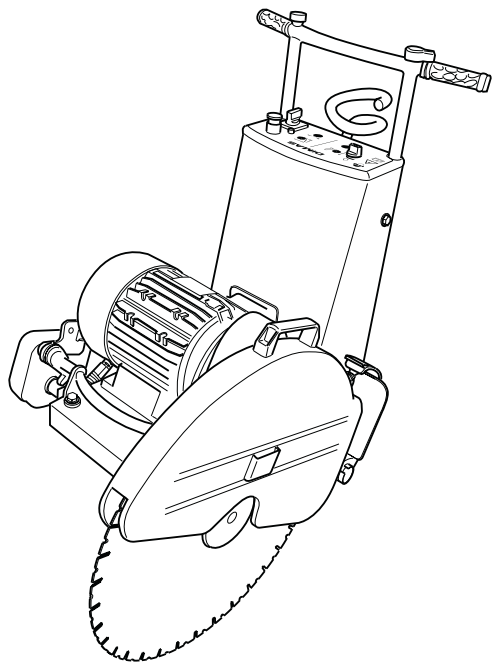


17. Motorsteun

Door deze schroeven los te draaien kunt u het zaagplatform met motor wegtillen om een lichtere machine te krijgen.



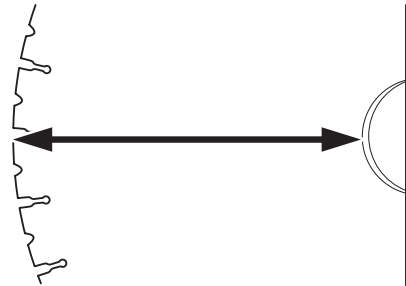
Technische gegevens



Gewicht (excl. schijf):	155 kg
Gewicht (incl. schijf):	150 kg
Motorvermogen:	7,5 kW
Spanning:	400 V/3 fase/50 Hz
Stroomsoort	16 A
Max. toeren aandrijf-as:	1780 rpm
Randsnelheid, schijf	56 m/s
Maximale schijfdiameter	725 mm
Max. zaagdiepte	298 mm

Max. zaagdiepte:

600 mm (23") schijfdiameter	235 mm (9,25")
625 mm (24") schijfdiameter	248 mm (9,76")
700mm (28,6") schijfdiameter	285 mm (11,2")
725mm (29") schijfdiameter	298 mm (11,7")



Wij raden aan Husqvarna W1100 schijven in combinatie met deze machine te gebruiken.



OPGELET

Wanneer u onzeker bent over de betekenis van de technische specificaties of wanneer u reserveonderdelen bestelt, moet u contact opnemen met uw dealer.



WAARSCHUWING!

Onder geen enkele omstandigheid mogen wijzigingen aan de machine worden uitgevoerd zonder schriftelijke toestemming van Husqvarna Construction Produkts Sweden AB. Met niet-goedgekeurde wijzigingen lopen u en anderen risico op ernstig of levensbedreigend letsel. Husqvarna Construction Products Sweden AB is niet verantwoordelijk voor onderhoud of maatregelen die deze instructies niet volgen.

Gebruik

Voor het zagen



N.B.!

Volg de veiligheidsvoorschriften.

Controleer of u de juiste aansluitkabel voor de zaag hebt.

Controleer of de koelwaterkoppeling op de slang hetzelfde type is als de koppeling die op de machine zit.

Omkader het terrein dat gezaagd moet worden, zodat onbevoegden niet verwond kunnen raken of de operator tijdens het werk kunnen storen.

Voor het zagen moeten alle zaagsneden die moeten worden gemaakt, duidelijk op de vloer worden aangegeven en gepland, zodat dit zonder gevaar voor mens of machine kan worden uitgevoerd.

Om onderbrekingen en irritatiemomenten tijdens het zagen te voorkomen, moet u het werk zo plannen dat u de schijf gelijk op de meest geschikte kant monteert.

Controleer of u de juiste schijf hebt voor de machine en voor de ondergrond die moet worden doorgezaagd. Zie technische gegevens.

Controleer of de schijf niet versleten is. De schijf is versleten wanneer nog slechts enkele millimeters van het diamantsegment over zijn of wanneer het diamantsegment niet breder is dan de stamschijf.

Controleer of de schijfbeschermer niet beschadigd of kapot is. Een kapotte of beschadigde schijfbeschermer mag nooit worden gebruikt.

Vergewis u ervan dat u goed begrijpt hoe de bedieningen van de machine werken, voor u de machine start.

Zorg ervoor dat de noodstop niet is geblokkeerd. De noodstop mag tijdens gebruik niet worden geblokkeerd of afgedekt.

Controleer of de langsinvoer- en hendel voor invoer omlaag in de nulstand staan.

Verwijder alle vreemde voorwerpen die de machine of de omgeving kunnen beschadigen en die in de weg liggen voor de machine.

Controleer of er geen onbevoegden binnen de veiligheidsafstand aanwezig zijn, d.w.z. 4 meter voor of naast de machine.

Zorg ervoor dat personen in de buurt van de machine gehoorbescherming en een veiligheidsbril dragen.

Verplaats de machine zo dat de schijf de voorgetrokken

zaaglijn volgt.

Controleer uw beschermingsuitrusting en evt. beschermingskleding.

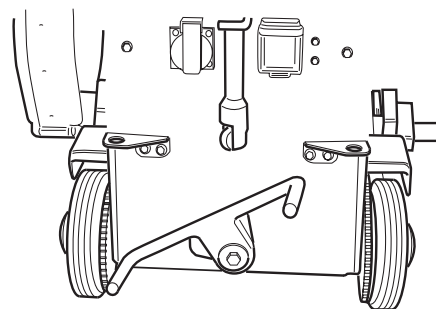


WAARSCHUWING!

Controleer zorgvuldig of alle elektrische leidingen, waterleidingen en gasleidingen binnen het zaaggebied aangegeven zijn. In een niet lege gasleiding zagen is direct verbonden met levensgevaar.

Monteren/Vervangen van schijf

- Hijs het zaagplatform naar de hoogste stand.
- Schakel de inkomende elektrische aansluiting uit.
- Schakel de aandrijving van de machine in, door de arm te plaatsen zoals hieronder aangegeven.

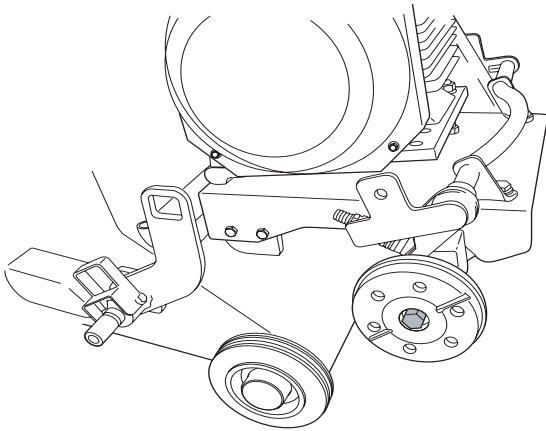


- Klap de schijfbeschermer omhoog en bevestig deze in opgeklapte stand door de houder van de schijfbeschermer te gebruiken.
- Maak de zaagflenzen schoon en controleer of ze niet beschadigd zijn.
- Monteer de schijf en controleer of de rotatierichting klopt met de pijl op de schijfbeschermer. Indien de rotatierichting niet op de stamschijf is aangegeven, moet u de rotatierichting van de schijf bepalen aan de hand van de slijtage van de diamantsegmenten, de vrijgekomen deel van het diamant moet dan in de rotatierichting liggen.
- Draai de zaagflens met de meegeleverde sleutel hard aan, zodat deze goed vastzit. Ten minste 70 Nm.
- Klap de schijfbeschermer omlaag.
- Controleer of de schijf vrij en gemakkelijk draait, door deze met de hand te bewegen, en controleer of er geen rare geluiden te horen zijn wanneer u de schijf draait. Controleer ook of de schijf recht gemonteerd is.

Zaag nooit met een beschadigde schijf.



Opmerking



Bedenk dat de schroef, waarmee de rechter zaagflens vastzit, links schroefdraad heeft.

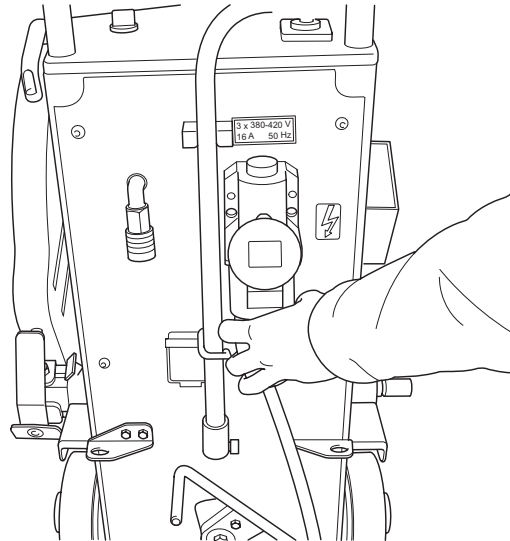


Opmerking

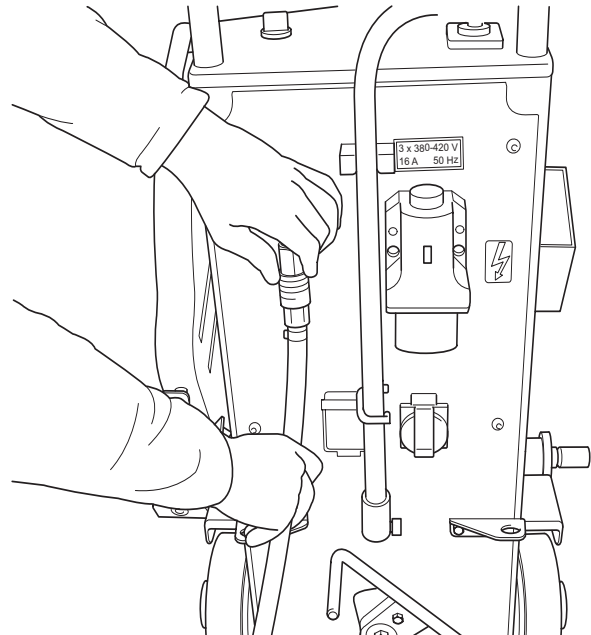
De schijf moet in eerste instantie op de linkerkant van de machine worden gemonteerd. Dit omdat montage aan de rechterkant ertoe leidt dat de koeling van de motor verslechtert.

De machine aansluiten

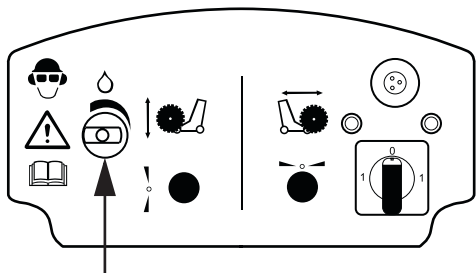
Sluit elektrische leiding (400 V /16 A /3 fase /50 Hz) op de elektrische ingang aan.



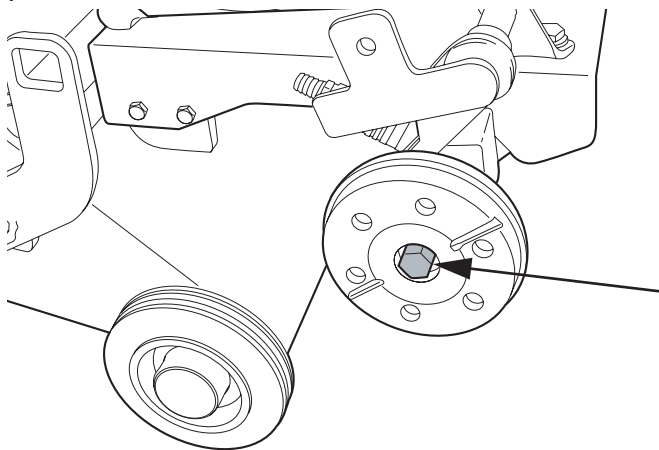
Sluit de koelwaterslang aan op de daarvoor bestemde koppeling.



Draai het koelwater open zodat een goede koeling wordt verkregen en geen stofvorming optreedt.

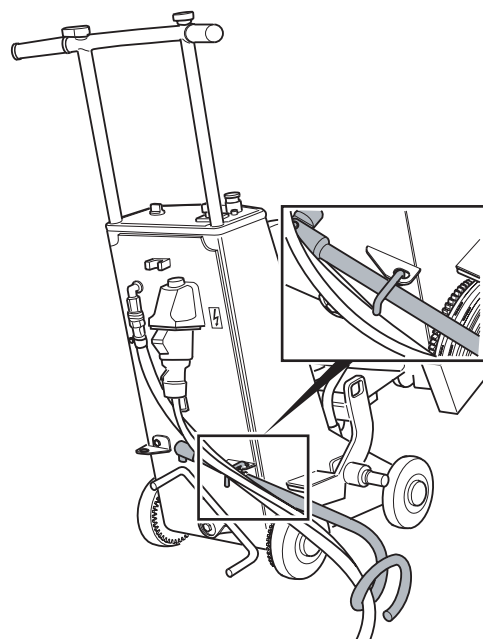


Controleer of rijkkelijk water wordt toegevoerd en of de sproeiers niet verstopt zijn. Controleer ook of de stopschroef in dat uiteinde van de zaagas zit, waar geen schijf op geschroefd is.



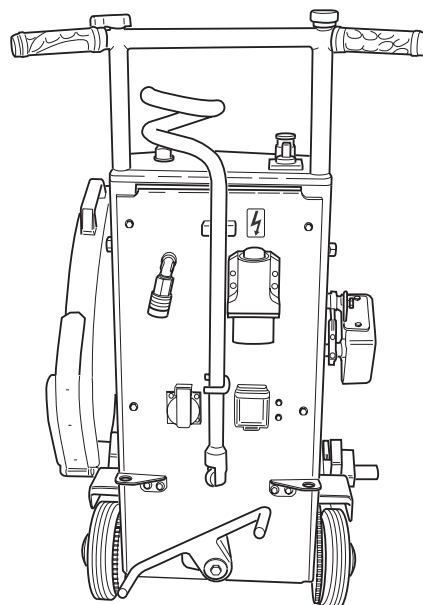
Vergewis u ervan dat de schijf vrij draait voor u de machine start.

Vergewis u ervan dat de stroomkabel en watertoevoer van de machine niet onder de machine kunnen belanden of in de weg liggen door de slanghouder te gebruiken.

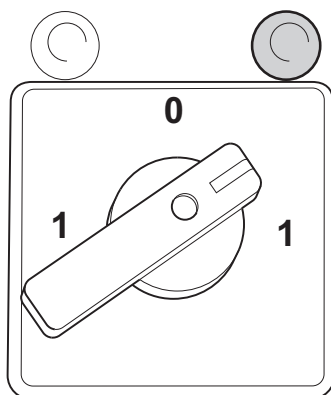


Zagen

Activeer de aandrijving door de arm met uw voet in te stellen conform onderstaande afbeelding. De machine zal niet gaan bewegen tot de hendel voor de invoer uit de nulstand wordt gehaald.



Start de schijfrotatie door de stroomschakelaar zo te draaien dat hij naar de lamp wijst die brandt. Indien de schakelaar de verkeerde kant op wordt gedraaid, zal de schijf de verkeerde kant op draaien.



Voer de schijf omlaag door de hendel voor de invoer omlaag naar u toe te draaien, zodat u een zaagdiepte krijgt die aangepast is aan het vloermateriaal, echter ten minste 20 mm.

Maak met deze diepte een geleidespoor op gelijkmatige snelheid langs de gehele voorgetrokken lijn. Wanneer het hele geleidespoor is gezaagd, verhoogt u de schijf, zet u het koelwater uit en stopt u de schijfrotatie. Rij de machine achteruit naar het startpunt.

Stel de machine opnieuw af op het geleidespoor en start de machine zoals hierboven genoemd.

Laat de schijf zakken tot geschikte zaagdiepte (5-10 cm). De geschikte zaagdiepte varieert, afhankelijk van vloermateriaal en snelheid.

Een eenvoudige regel is dat wanneer de machine de neiging heeft uit het geleidespoor "omhoog te klimmen", de zaagdiepte te groot en/of de rijsnelheid te hoog is.

De machine mag niet sneller gaan dan dat hij zaagt zonder te "klimmen" d.w.z. dat de voorwielen van de machine van de grond komen. Als de machine "klimt", moet u de langsinvoer laten zakken door de hendel voor de langsbeweging tegen de klok in te draaien of u verhoogt de schijf door de hendel voor het invoeren met de klok mee te draaien.



OPGELET!

Tijdens het zagen moet de operator zich voortdurend achter de machine bevinden en hendels en stopknoppen binnen handbereik hebben.



WAARSCHUWING!

Contact met een roterende schijf kan ernstig lichamelijk letsel of zelfs overlijden veroorzaken.

Zagen beëindigen

Hijs het zaagplatform naar de hoogste stand.

Zet de schijfrotatie uit door de schakelaar naar de nulstand te draaien.

Draai de langsbeweging en de invoer omlaag naar de nulstand.

Zet het koelwater uit.



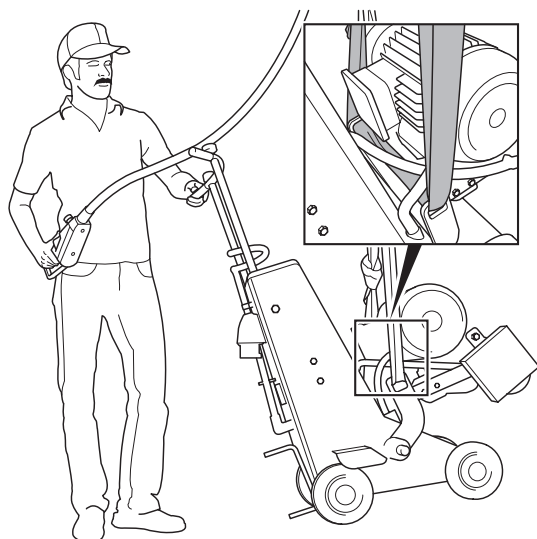
OPGELET!

De beschermingen zijn er voor uw eigen veiligheid, het is daarom van groot belang alle beschermingsuitrusting regelmatig te controleren. Als u een storing ontdekt, dient u contact op te nemen met uw leverancier.

Transport

Bij al het transport en optillen moet de schijf van de zaag zijn gehaald. Als de schijf niet wordt verwijderd, bestaat het risico dat de schijf beschadigd raakt.

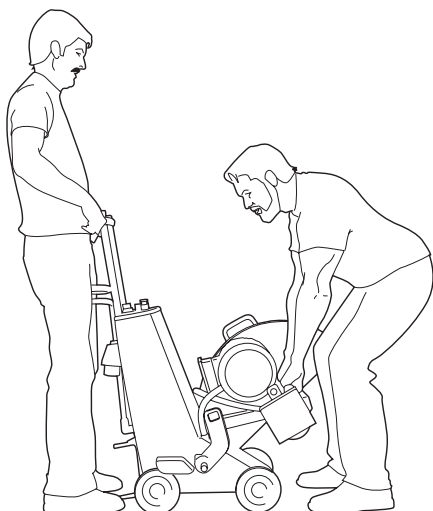
Bij transport kan de zaag op een aantal verschillende manieren worden opgetild. Wanneer de zaag met behulp van een kraan wordt opgetild, moet u de tilbanden in de hefogen bevestigen.



WAARSCHUWING!

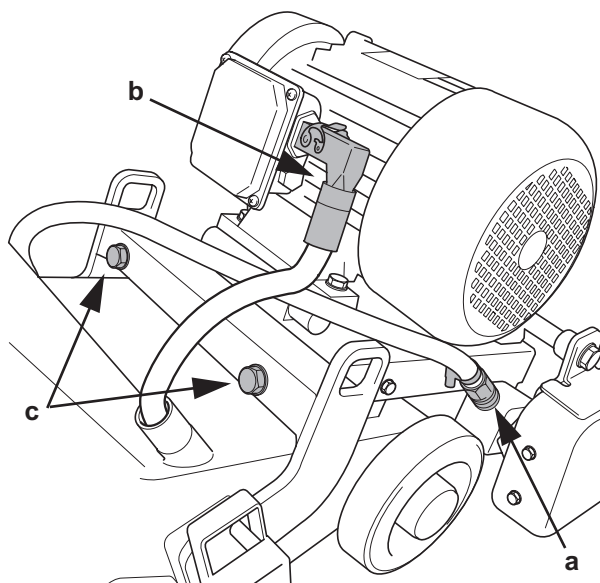
Let op dat u zelf of iemand anders nooit onder een vrij hangende machine gaat staan. Geraakt worden door een vallende machine kan leiden tot overlijden of ernstig lichamelijk letsel.

Als de zaag over een kortere afstand moet worden opgetild, kan hij aan de handgrepen en de voorste tilstang worden opgetild.



Om de machine lichter te maken, kunt u het zaagplatform waar de elektrische motor opzit weghalen.

1. Zorg ervoor dat de schijf niet is gemonteerd.
2. Laat het zaagplatform naar de laagste stand zakken.
3. Maak de waterslang (a) en de elektrische aansluiting (b) van de zaagbrug los.
4. Maak de twee schroeven (c) los, waarmee het zaagplatform op zijn plaats zit en til het zaagplatform weg.



OPGELET

Denk erom dat verkeerde tilbewegingen letsel aan uw rug kunnen veroorzaken. Let er daarom goed op altijd op een juiste manier te tillen.

Wanneer het zaagplatform weer teruggeplaatst moet worden, moet u het zaagplatform op de zaagwagen plaatsen en deze in de schroefgaten leiden. Om de geleiding te vergemakkelijken zitten er twee plastic klosjes aan de onderkant van het zaagplatform.

Onderhoud

Nadat u bent gestopt met zagen moet de machine worden schoongemaakt. Zorg ervoor dat de elektrische aansluiting voor het wassen is uitgeschakeld. Spuit geen water op de elektrische motor of -aansluitingen. Gebruik bij voorkeur een afwasborstel of spons bij het schoonmaken van de machine.



Opmerking

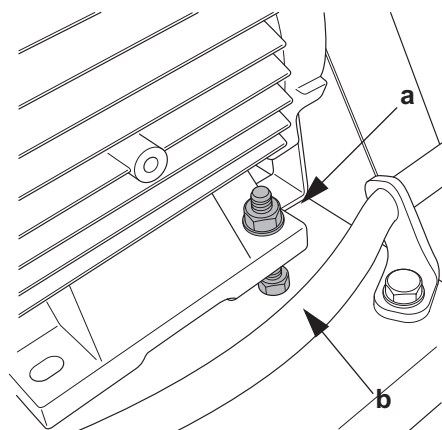
Maak de machine niet schoon met een hogedrukreiniger.

Controleer regelmatig de staat van de schijf, zodat deze niet versleten of beschadigd is. Wanneer de segmenten versleten zijn of de breedte van de segmenten is bijna net zo breed als de stamschijf, moet de schijf worden vervangen.

Controleer regelmatig of elektrische kabels, koppelingen, aandrijfriem en schroefbevestigingen niet beschadigd zijn.

Controleer regelmatig of aandrijfriem en koppelingen niet vies zijn en of de aandrijfriem niet te los gespannen is. Om te controleren of de aandrijfriem gespannen is, moet u eerst de beschermkap rond de aandrijfriem verwijderen.

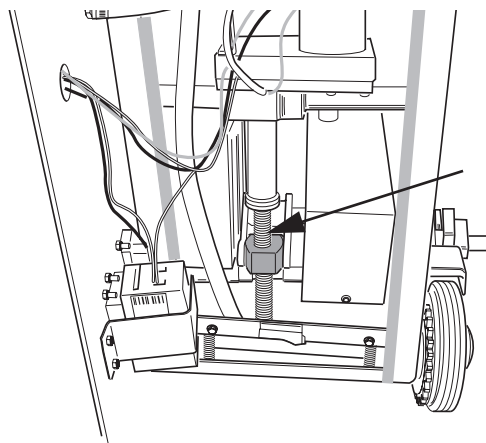
Span, indien nodig, de aandrijfriem door eerst de moer (a) los te maken, hou de moer onder de basis vast met een sleutel en draai vervolgens aan de schroef (b) tot de riem is opgespannen. Wanneer de riem is opgespannen, zet u deze vast door de moer terug te schroeven.



Bij opslag voor langere tijd dient u de machine zorgvuldig schoon te maken en al het water eruit te laten lopen.

Met regelmatige tussenpozen dient de moer voor de invoer te worden gesmeerd. Om bij de moer te kunnen, moet u eerst de achterkant van de machine eraf halen.

Wanneer de achterkant weg is, moet u de invoerschroef enkele cm boven en onder de moer invetten.



Monteer de achterkant als volgt terug:

1. Hang het luik aan de bovenste rand.
2. Hou de tandwielen, die de zaag naar voren bewegen, uit elkaar door een schroevendraaier tussen de tandwielen te wrikken en de schroevendraaier voorzichtig naar beneden te drukken.
Druk tegelijkertijd de achterkant tegen het chassis van de zaag.
3. Schroef de schroeven terug die de achterkant op zijn plaats houden.



WAARSCHUWING!

BIJ ALLE ONDERHOUDS-, REPARATIE- EN SERVICEWERKZAAMHEDEN MOET DE ELEKTRISCHE AANSLUITING UITGESCHAKELD ZIJN.

Opsporen van storingen



LET OP

Voordat u een storing verhelpt, moet u controleren of alle elektrische aansluitingen uitgeschakeld zijn om te voorkomen dat de machine tijdens de werkzaamheden start.

Indien een storing optreedt, dient u eerst te controleren of het een van de storingsmogelijkheden uit het onderstaande schema voor het opsporen van storingen is.


Als de storing niet lijkt op een van de storingsmogelijkheden in het onderstaande schema, dient u contact op te nemen met uw dealer voor meer informatie.

Storing	Oorzaak	Maatregel
De schijf draait de verkeerde kant op.	De startknop staat verkeerd.	Draai de startknop de kant op die door het brandende lampje wordt aangegeven.
De schijf komt vast te zitten.	De aandrijfriem slijt De aandrijfriem is vies. De aandrijfriem is versleten.	Span de aandrijfriem op. Maak de aandrijfriem schoon. Vervang de aandrijfriem.
Er komt geen water/te weinig water bij de schijf.	Er zit vuil in de zaagflens.	Maak de zaagflens schoon. Vergroot de waterdruk door de waterkranen verder open te draaien.
De schijf komt vast te zitten.	De schijf is uitgesleten. De schijf zit bekneld. De zaag is te hard gebruikt.	Vervang schijf. Ondersteun het zaagblok met steunen of een krik. Gebruik de zaag met een iets lagere doorvoer of kleinere zaagdiepte.
De motor start niet.	De noodstop is aan. Elektrische storing.	Reset de noodstop. Neem contact op met uw dealer.
De aandrijving werkt niet.	De aandrijfversnelling is niet ingeschakeld.	Wijzig de arm voor de aandrijving zodat de aandrijfversnelling ingeschakeld is.
De aandrijving/invoer omlaag werkt niet.	De hendels voor de invoer waren niet gereset toen de stroom werd ingeschakeld.	Reset de machine door de schijfrotatie uit te zetten, de noodstop in te drukken en de hendels naar de nulstanden te draaien. Wacht 3 seconden en reset vervolgens de noodstopknop.
De invoer omhoog/omlaag werkt niet.	De invoermoer is in de eindstand vastgeraakt. De invoermoer is droog.	Verwijder de achterste klep en draai de invoermoer voorzichtig los door de moer helemaal onderaan op de invoerschroef te draaien. Vet de invoeras in.
De machine onderbreekt/start de schijfrotatie niet.	Het thermisch relais in de motor is afgevallen.	Wacht eventjes zodat de motor kan afkoelen. Wanneer de temperatuur van de motor omlaag is gegaan, wordt de zaag normaal gestart.
Beide waarschuwingslampjes voor schijfrotatie branden.	Er ontbreekt een fase.	Controleer de zekeringen en de elektrische kabel.

EU-verklaring

Husqvarna Construction Products Sweden AB, Box 2098, 550 02 Jönköping, Zweden, tel: 0046-365706000, verklaart hiermee dat vloerzaag FS 700E, van 01001 en verder geproduceerd is overeenkomstig de richtlijnen van de Raad 98/37/EG aangaande machines, 73/23/EEG "de Laagspanningsrichtlijn" en richtlijn 89/336/EEG over elektromagnetische compatibiliteit, met wijzigingen, en dat volgende normen zijn gebruikt als richtsnoer: EN 55 014-1, EN 55 014-2, EN 61 000-3-2, EN 50 144-1, EN 13 862.

Jönköping, 2005-01-01



Christer Carlberg
Algemeen directeur

Italiano

Contenuto

Legenda	63
Disposizioni di sicurezza	64
Introduzione	65
Identificazione delle parti	66
Dati tecnici	68
Funzionamento	69
Prima del taglio	69
Montaggio/sostituzione del disco.....	69
Collegamento della macchina.....	70
Taglio.....	71
Conclusione del taglio	72
Trasporto	73
Manutenzione	74
Ricerca dei guasti.....	75
Dichiarazione di conformità CE	77

Legenda

Sulla macchina e nel relativo manuale sono utilizzati i seguenti simboli. Per un utilizzo sicuro della macchina, è importante che l'operatore conosca il loro significato.

Manuale

Leggere attentamente le istruzioni per l'uso e comprenderne il contenuto prima di utilizzare la macchina.



Dispositivi di protezione individuale

Utilizzare sempre:

- un elmetto protettivo approvato;
- protezioni acustiche approvate;
- occhiali protettivi o una visiera approvati e gli altri dispositivi di protezione individuale necessari.



Avvertenza

Un grande triangolo di avvertenza accompagnato dal testo "Avvertenza" indica che sussiste il rischio di lesioni personali gravi o mortali.



Attenzione

Un piccolo triangolo di avvertenza accompagnato dal testo "Attenzione" indica che sussiste il rischio di lesioni personali o danni alla macchina.



Nota

Una mano con l'indice sollevato accompagnata dal testo "Nota" indica che occorre prestare particolare attenzione durante l'esecuzione delle operazioni descritte.



CE

Questo simbolo indica che la macchina è conforme alle direttive CE vigenti.



Pericolo scossa elettrica

Questo simbolo indica la presenza di alta tensione.

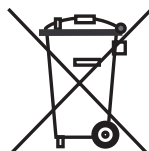


Informazioni di Carattere Ambientale

Il simbolo che appare sul prodotto o sulla confezione indica che il prodotto non può essere smaltito come rifiuti domestici. Invece deve essere consegnato all'inerente punto di raccolta per il riciclo di apparecchi elettrici o elettronici.

Assicurandosi che questo prodotto venga smaltito correttamente, si aiuta a prevenire potenziali conseguenze negative per l'ambiente e per la sanità delle persone, che potrebbero altrimenti essere causate con l'incorretto smaltimento di questo prodotto.

Per ulteriori informazioni dettagliate sullo smaltimento, si prega contattare il locale comune, il servizio dello smaltimento dei rifiuti oppure il negozio dove il prodotto è stato acquistato.



Disposizioni di sicurezza

Efficienza e semplicità, unite a sicurezza d'uso, sono criteri di massima priorità nella progettazione e produzione dei prodotti Husqvarna. Per garantire la massima sicurezza della macchina, attenersi sempre ai seguenti punti.

- Prima di avviare la macchina, accertarsi sempre che siano rispettate le norme di sicurezza. In caso contrario, la Husqvarna Construction Products Sweden AB o i suoi rappresentanti declinano ogni responsabilità per danni sia diretti che indiretti.
Leggere le presenti istruzioni per l'uso e accertarsi di averne compreso il contenuto prima di utilizzare la macchina. Leggere le presenti disposizioni di sicurezza. In caso di dubbi correlati alla sicurezza, non utilizzare la macchina.
Per maggiori informazioni, contattare il proprio rivenditore.
- Controllare che tutti i raccordi, i connettori e la protezione del disco siano integri.
- Accertarsi che tutti i flessibili e i cavi di alimentazione siano collegati correttamente alla macchina prima di avviarla.
- La distanza di sicurezza è di 4 m davanti e ai lati della macchina.
- Accertarsi che non vi siano persone o animali nell'area di lavoro.
- Controllare che la protezione del disco e la protezione della flangia del disco siano montate correttamente.
- Durante il taglio, accertarsi di avere facile accesso al pulsante di arresto di emergenza.
- Non lasciare mai la macchina incustodita a motore acceso.
- Prima del taglio, pianificare e segnare chiaramente sul pavimento tutti i tagli necessari, in modo che la loro esecuzione non metta a repentaglio la sicurezza delle persone e l'integrità della macchina.
- Controllare sulle planimetrie se sono presenti cavi elettrici oppure condutture idriche, del gas o di scarico nell'area di lavoro.
- Controllare che i cavi elettrici nell'area di lavoro non siano sotto tensione.
- Prestare attenzione durante le operazioni di sollevamento. In sede di movimentazione di pezzi pesanti sussiste il rischio di schiacciamento e altri danni.
- Utilizzare sempre i dispositivi e gli indumenti di protezione individuale come indicato nelle istruzioni per l'uso. Non utilizzare indumenti che possono rimanere impigliati nelle parti in movimento.

- Le persone presenti vicino all'area di lavoro devono indossare protezioni acustiche.
- Non capovolgere, inclinare o mettere di lato la macchina con il disco in rotazione.
- Utilizzare esclusivamente dischi raccomandati dal produttore.
- Non tagliare mai se la protezione del disco non è in posizione.
- Non tagliare mai se l'acqua di raffreddamento è chiusa. Se il disco non è sufficientemente raffreddato, potrebbero staccarsi i segmenti. Inoltre, l'acqua di raffreddamento evita la formazione di polvere di calcestruzzo.
- Non utilizzare mai un disco danneggiato o usurato.
- Non utilizzare la macchina se si rilevano anomalie di funzionamento.
- Rispettare sempre le disposizioni per la prevenzione degli incidenti, le altre disposizioni di sicurezza e le norme della medicina del lavoro.
- Conservare la macchina sotto chiave affinché non sia accessibile a bambini o persone non addestrate all'uso della stessa.
- Fissare o ancorare i blocchi di calcestruzzo tagliati in modo sicuro. I blocchi tagliati sono pesanti, quindi devono essere sempre movimentati in modo controllato per evitare gravi danni e lesioni personali.
- Accertarsi che vi sia sempre qualcuno nelle vicinanze quando si utilizza la macchina, in modo da poter chiedere aiuto in caso di incidente.



AVVERTENZA

Quando si utilizza la macchina, utilizzare sempre dispositivi e indumenti di protezione individuale approvati. Gli indumenti e i dispositivi di protezione individuale non eliminano il rischio di incidenti, ma possono ridurre la gravità delle lesioni qualora si verifici un incidente. Per informazioni su dispositivi e indumenti di protezione individuale approvati, rivolgersi al proprio rivenditore.

Introduzione

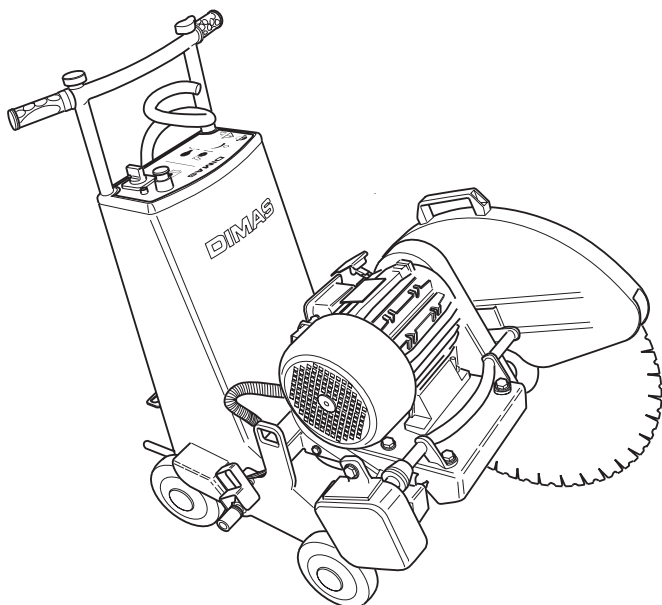
FS è la nuova serie di mototroncatrici elettriche per pavimenti Husqvarna. Questa serie è stata sviluppata allo scopo di offrire una macchina estremamente potente ma maneggevole per il taglio di cemento armato, laterizi e altri materiali rocciosi. Inoltre, la macchina è progettata per essere utilizzata facilmente anche da un solo operatore.

La serie FS è dotata di funzioni elettriche di movimento in lunghezza e in profondità. Entrambe sono gestite tramite comandi montati presso l'impugnatura regolabile.

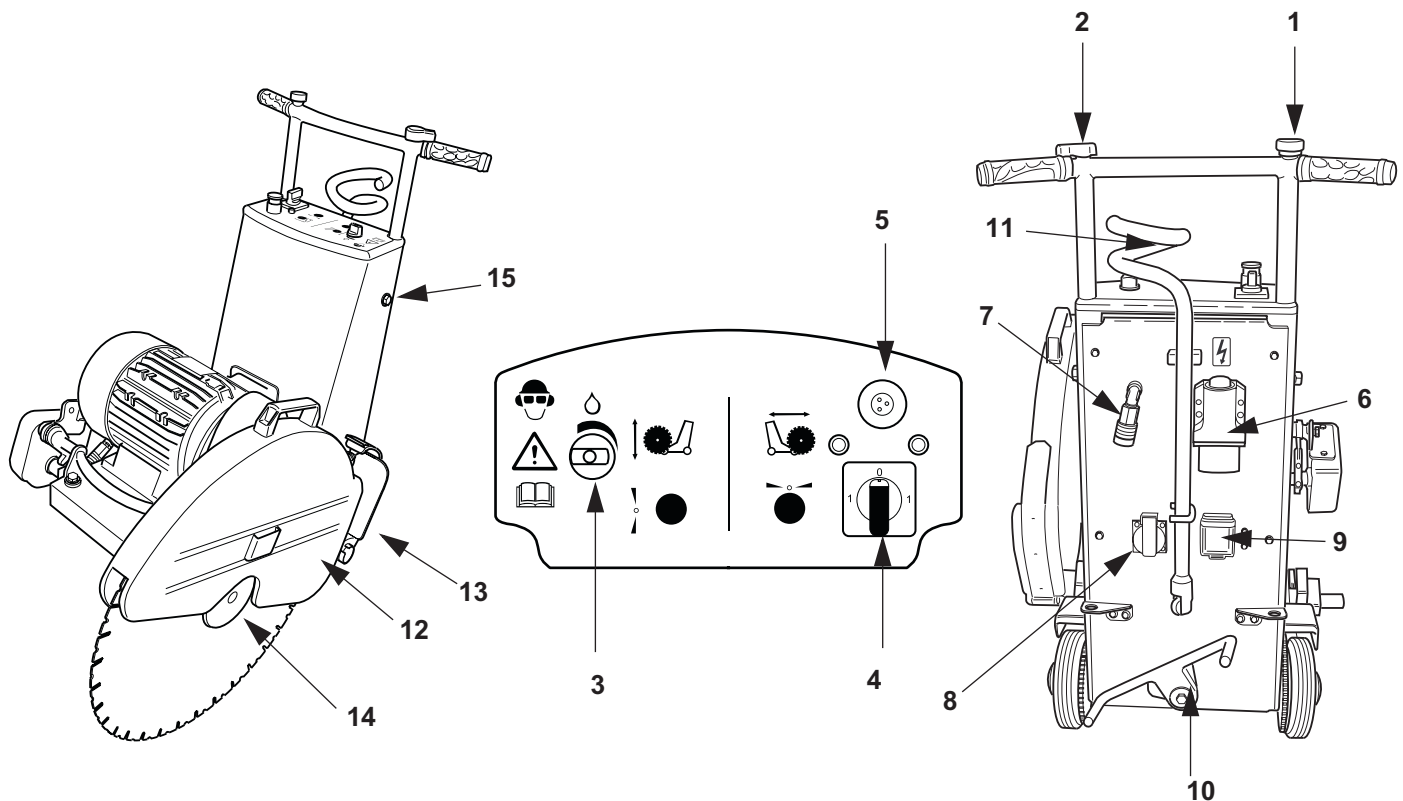
Per semplificare il trasporto della mototroncatrice, è possibile ripiegare l'impugnatura e rimuovere il ponte di taglio. In tal modo è più facile sollevare la mototroncatrice, che occupa anche meno spazio durante il trasporto.

Ogni mototroncatrice viene fornita dotata di flangia e protezione del disco. Come accessori, sono disponibili flange e protezioni per il taglio a raso.

Per utilizzare la macchina nel modo più efficiente possibile, è importante che l'operatore legga attentamente il presente manuale. In caso di dubbi, chiedere chiarimenti al proprio fornitore prima di utilizzare la macchina.



Identificazione delle parti



1. Comando di movimento in lunghezza

Con questo comando si modifica il senso di movimento della macchina. La macchina procede in avanti girando il comando in senso orario. Girando il comando in senso antiorario, la macchina arretra. Quando il comando si trova in posizione neutra, la macchina è ferma. Questa funzione è attiva non appena si accende la macchina e si inserisce il movimento in avanti.

2. Comando di profondità

Questo comando consente di sollevare e abbassare il ponte di taglio. Il disco si abbassa girando il comando in senso antiorario. Una volta raggiunta la profondità di taglio desiderata, portare il comando in posizione neutra. Il disco si solleva girando il comando in senso orario. Questa funzione è attiva non appena si accende la macchina.

3. Comando dell'acqua

Girando questo comando in senso antiorario si apre la valvola dell'acqua. L'acqua raggiunge l'albero e la flangia del disco, quindi raffredda il disco ed evita la formazione di polvere.

4. Interruttore di avviamento

Si utilizza per avviare la rotazione del disco.

5. Pulsante di arresto di emergenza

Toglie corrente alla macchina. Nessuna funzione è attiva finché non si ripristina il pulsante di arresto di emergenza. Per ripristinare il pulsante di arresto di emergenza si deve estrarre il pulsante.

6. Connettore elettrico

Per il connettore elettrico di tipo:

5 poli, 400 V / 16 A.

7. Raccordo idrico

Per il collegamento dell'acqua di raffreddamento della macchina.

8. Presa monofase da 230 V

Per il collegamento di un attrezzo da 230 V alla macchina.

9. Protezione personale

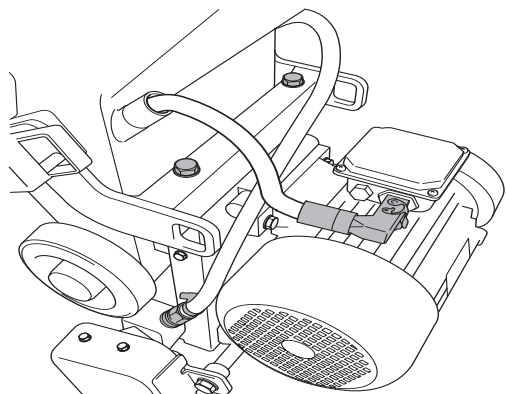
Toglie corrente alla presa monofase in caso di corrente di dispersione di 30 mA.

10. Avanzamento/freno di parcheggio

Quando la leva si trova nella posizione illustrata in figura, il movimento è attivato. Se la leva si trova in que-

sta posizione e il comando di movimento in lunghezza si trova in posizione neutra oppure la macchina è spenta, questo comando funge da freno di parcheggio.

Portando la leva nell'altra posizione, non è inserita alcuna marcia e la macchina può essere spostata facilmente. Portare il comando in questa posizione se si deve spostare la macchina per un percorso lungo.



11. Portaflessibili

Utilizzando il portaflessibili, l'operatore evita di trascinare flessibili e cavi dietro la macchina. Questi vengono invece raccolti sul lato della macchina.

12. Protezione del disco

Può essere montata sul lato destro o sinistro della macchina in base alle necessità. La protezione può essere bloccata in posizione eretta utilizzando la leva sul bordo posteriore.

13. Paraspruzzi

Per ridurre al minimo gli spruzzi di acqua e la sporcizia, la macchina è dotata di un paraspruzzi ripiegabile. Se occorre spostare la mototroncatrice per un percorso lungo, sollevare il paraspruzzi e fissarlo alla protezione del disco con la molla. Durante il taglio, il paraspruzzi deve sempre essere abbassato.

14. Flangia del disco

Per poter montare il disco sul lato giusto della macchina, la flangia del disco può essere montata su entrambi i lati.

Se sulla flangia non è montato alcun disco, questa deve essere coperta con l'apposita protezione (montata sul lato destro alla consegna).

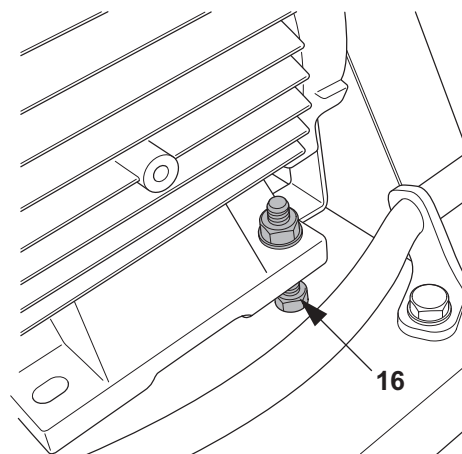
La macchina viene fornita con una flangia del disco standard. Come optional, sono disponibili flange per il taglio a raso. Montare il disco sulla flangia per il taglio a raso per effettuare il taglio in prossimità di muri. Se si utilizza la flangia per il taglio a raso occorre montare il paraspruzzi speciale.

15. Regolazione dell'impugnatura

Svitando queste 2 viti si può regolare l'impugnatura in altezza.

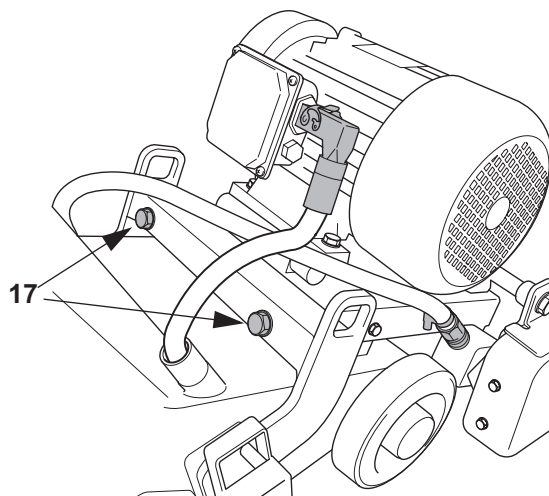
16. Vite di regolazione

Agire su questa vite per tendere la cinghia di trasmissione.

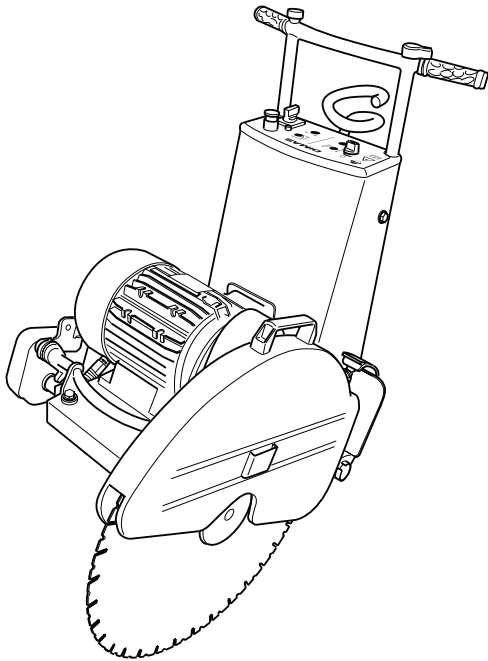


17. Attacco del motore

Svitando queste viti si può rimuovere il ponte di taglio insieme al motore per alleggerire la macchina.



Dati tecnici



Peso (escl. disco):	_____	155 kg
Peso (incl. disco):	_____	150 kg
Potenza motore:	_____	7,5 kW
Tensione:	_____	400 V / trifase / 50 Hz
Corrente:	_____	16 A
Regime max albero di azionamento:	_____	1780 giri/min.
Velocità periferica del disco:	_____	56 m/s
Diametro max del disco:	_____	725 mm
Profondità max di taglio:	_____	298 mm

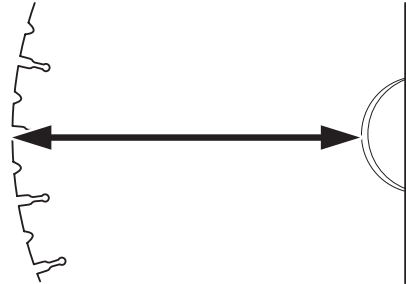
Profondità max di taglio:

diametro del disco 600 mm (23") _____ 235 mm (9.25")

diametro del disco 625 mm (24") _____ 248 mm (9.76")

diametro del disco 700 mm (28.6") _____ 285 mm (11.2")

diametro del disco 725 mm (29") _____ 298 mm (11.7")



Insieme alla macchina, si raccomanda di utilizzare i dischi della serie W1100 Husqvarna.



ATTENZIONE

In caso di dubbi sul significato delle specifiche tecniche o per l'ordinazione di ricambi, rivolgersi al proprio rivenditore.



AVVERTENZA

Non apportare mai modifiche alla macchina senza il consenso scritto della Husqvarna Construction Products Sweden AB. Eventuali modifiche non autorizzate possono comportare il rischio di lesioni personali gravi o mortali. La Husqvarna Construction Products Sweden AB declina ogni responsabilità in caso di utilizzo o interventi non conformi alle presenti istruzioni.

Funzionamento

Prima del taglio



NB

Rispettare le norme di sicurezza.

Controllare di aver collegato alla mototroncatrice il cavo corretto.

Controllare che il raccordo per l'acqua di raffreddamento sul flessibile sia dello stesso tipo di quello sulla macchina.

Recintare l'area da tagliare per prevenire l'ingresso di persone non autorizzate, che potrebbero ferirsi o disturbare l'operatore.

Prima del taglio, pianificare e segnare chiaramente sul pavimento tutti i tagli necessari, in modo che la loro esecuzione non metta a repentaglio la sicurezza delle persone e l'integrità della macchina.

Per evitare rotture e problemi durante il taglio, pianificare il lavoro in modo da montare fin dall'inizio il disco sul lato più adatto.

Controllare di disporre del disco adatto alla macchina e al tipo di superficie da tagliare. Vedere dati tecnici.

Controllare che il disco non sia usurato. Il disco è usurato se rimangono un paio di millimetri di segmento diamantato oppure quest'ultimo non è più largo della lama base.

Controllare che la protezione del disco non sia danneggiata o difettosa. Non utilizzare mai una protezione del disco difettosa o danneggiata.

Accertarsi di aver compreso il funzionamento dei comandi della macchina prima di utilizzarla.

Controllare che il pulsante di arresto di emergenza non sia bloccato. Durante il funzionamento, il pulsante di arresto di emergenza non deve mai essere bloccato o coperto.

Controllare che i comandi di movimento in lunghezza e di profondità si trovino in posizione neutra.

Rimuovere tutti gli oggetti nell'area di lavoro che possono danneggiare la macchina o l'area stessa.

Controllare che non vi siano persone non autorizzate nell'area di pericolo (4 metri davanti e ai lati della macchina).

Accertarsi che le persone nelle vicinanze della macchina indossino protezioni acustiche e occhiali protettivi.

Muovere la macchina in modo che il disco segua la linea di taglio tracciata.

Controllare i dispositivi e gli eventuali indumenti di protezione individuale.

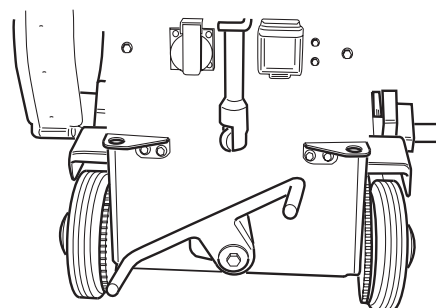


AVVERTENZA

Controllare attentamente che tutte le condutture elettriche, idriche e del gas nell'area di taglio siano marcate. Tagliare una conduttura del gas in uso comporta pericolo di morte.

Montaggio/sostituzione del disco

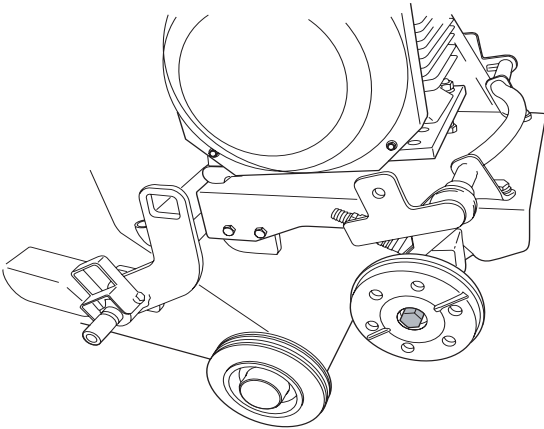
- Sollevare completamente il ponte di taglio.
- Scollegare il connettore elettrico in ingresso.
- Azionare l'avanzamento della macchina portando la leva nella posizione indicata nella seguente figura.



- Sollevare la protezione del disco e bloccarla in posizione eretta con l'apposito fermo.
- Pulire le flange del disco e controllare che siano integre.
- Montare il disco e controllare che il senso di rotazione corrisponda alla freccia sulla protezione del disco. Se il senso di rotazione non è indicato sulla lama base, determinarlo osservando l'usura dei segmenti diamantati: la parte libera del segmento deve trovarsi nel senso di rotazione.
- Serrare a fondo la flangia del disco con la chiave in dotazione. Almeno 70 Nm.
- Abbassare la protezione del disco.
- Controllare che il disco ruoti liberamente e non generi rumori anomali, facendolo girare manualmente. Controllare inoltre che il disco sia montato dritto. Non utilizzare mai un disco danneggiato.



Nota



Ricordare che la vite di fissaggio della flangia destra del disco ha filettatura sinistrorsa.

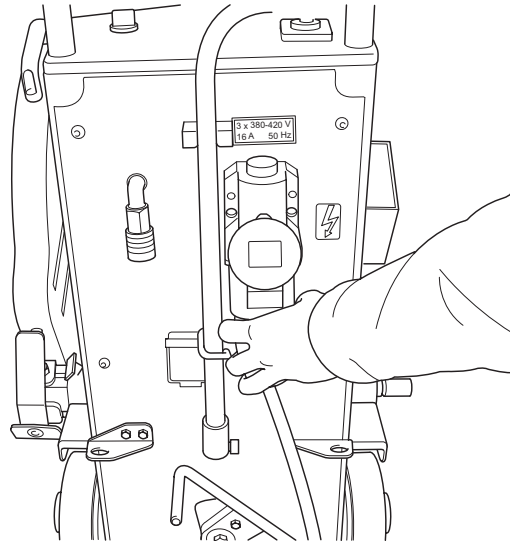


Nota

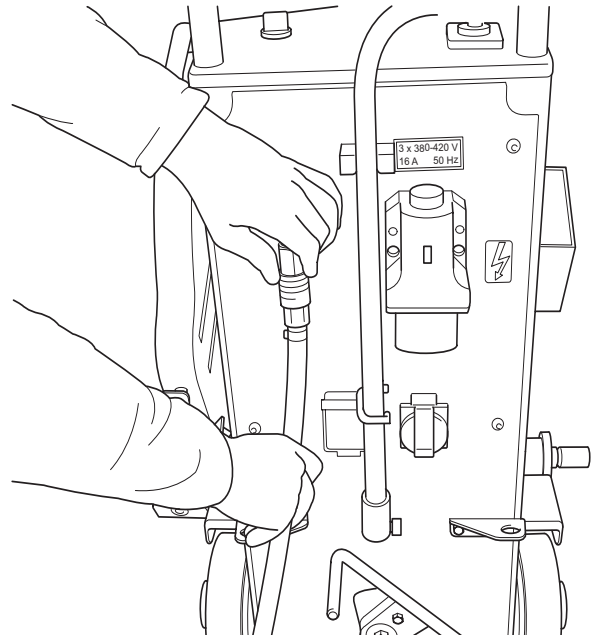
Si consiglia di montare il disco sul lato sinistro della macchina. Infatti, il montaggio sul lato destro riduce la capacità di raffreddamento del motore.

Collegamento della macchina

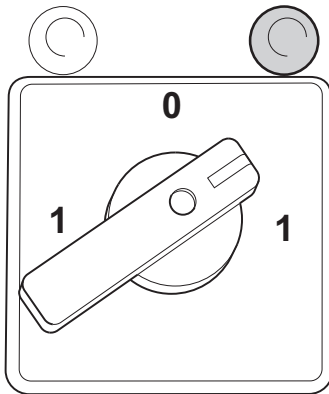
Collegare il cavo di alimentazione (400 V / 16 A / trifase / 50 Hz) alla presa.



Collegare il flessibile dell'acqua di raffreddamento al relativo raccordo.



Avviare la rotazione del disco girando l'interruttore verso la spia accesa. Girando l'interruttore nella direzione sbagliata, il disco gira nel senso di rotazione opposto.



Fare avanzare in profondità il disco girando verso di sé il comando di profondità, in modo da raggiungere una profondità di taglio adatta al materiale del pavimento e comunque non inferiore a 20 mm.

Eseguire un taglio guida di questa profondità procedendo a velocità costante lungo l'intera linea tracciata. Dopo aver eseguito il taglio guida, sollevare il disco, chiudere l'acqua di raffreddamento e fermare la rotazione del disco. Fare arretrare la macchina riportandola al punto di partenza.

Regolare nuovamente la macchina allineandola al taglio guida e avviarla come descritto sopra.

Fare penetrare il disco alla profondità di taglio adatta (5-10 cm). La profondità dipende da materiale del pavimento e velocità.

In linea di massima, se la macchina tende a "risalire" dal taglio guida, la profondità di taglio e/o la velocità sono eccessive.

La velocità è corretta quando la macchina si muove senza "risalire", cioè le ruote anteriori non si sollevano dal terreno. Se la macchina "risale", ridurre il movimento in lunghezza girando il relativo comando in senso antiorario oppure sollevare il disco girando il comando di profondità in senso orario.



ATTENZIONE

Durante il taglio, l'operatore deve sempre rimanere dietro la macchina, con i comandi e gli arresti a portata di mano.



AVVERTENZA

Il contatto con il disco di taglio rotante può causare lesioni personali gravi o mortali.

Conclusione del taglio

Sollevare completamente il ponte di taglio.

Disattivare la rotazione del disco portando l'interruttore in posizione neutra.

Portare i comandi di movimento in lunghezza e di profondità in posizione neutra.

Chiudere l'acqua di raffreddamento.



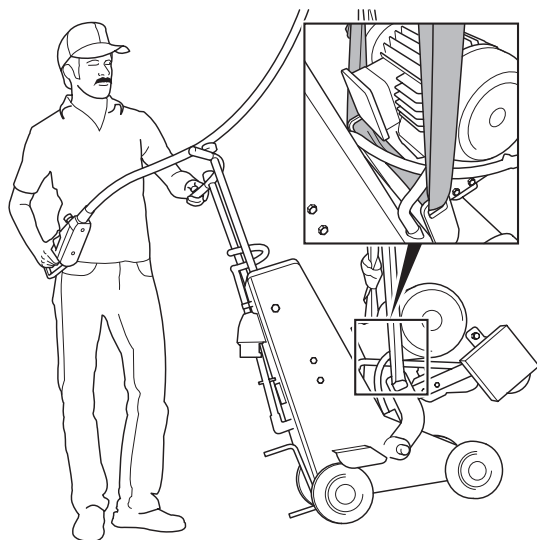
ATTENZIONE

I dispositivi di protezione hanno lo scopo di garantire la massima sicurezza, quindi è molto importante controllarli regolarmente. In caso di difetti, contattare il proprio fornitore.

Trasporto

In caso di trasporto e sollevamento, rimuovere sempre il disco dalla mototroncatrice. In caso contrario, il disco potrebbe danneggiarsi.

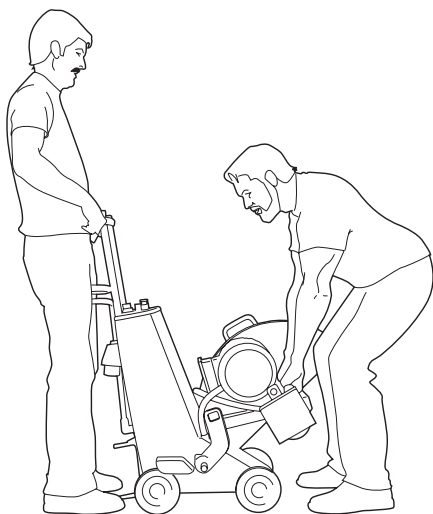
Durante il trasporto, è possibile sollevare la mototroncatrice in vari modi. Per sollevare la mototroncatrice con una gru, fissare le cinghie di sollevamento agli appositi occhielli.



AVVERTENZA

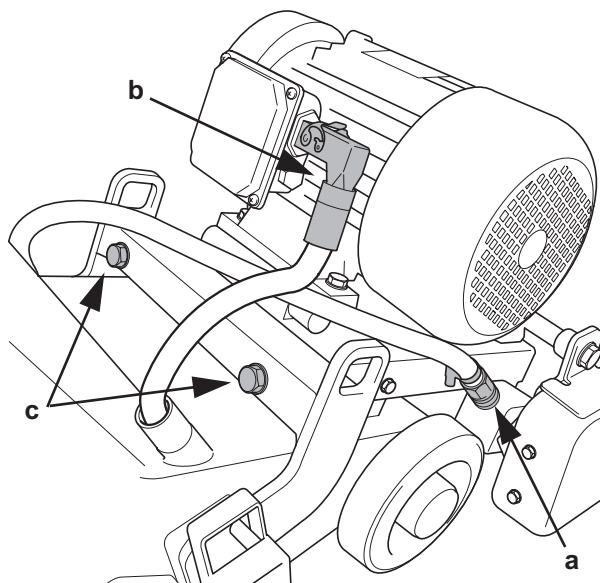
Non sostare mai né consentire ad altri di sostare sotto una macchina sospesa. In caso di caduta della macchina, sussiste il rischio di lesioni personali gravi o mortali.

Per sollevare brevemente la mototroncatrice, afferrarla per l'impugnatura e per la barra di sollevamento anteriore.



Per alleggerire la macchina, è possibile rimuovere il ponte di taglio insieme al motore elettrico.

1. Controllare che il disco sia stato rimosso.
2. Abbassare completamente il ponte di taglio.
3. Staccare il flessibile dell'acqua (a) e il connettore elettrico (b) dal ponte di taglio.
4. Svitare le 2 viti (c) di fissaggio del ponte di taglio e rimuoverlo.



ATTENZIONE

Se si esegue il sollevamento in modo errato, sussiste il rischio di lesioni da carico. Pertanto occorre assumere sempre una posizione corretta durante il sollevamento.

Per rimontare il ponte di taglio, sistemarlo sul carrello di taglio e inserirlo nei fori delle viti. Per agevolare l'operazione, sul fondo del ponte di taglio sono presenti 2 ceppi di plastica.

Manutenzione

Al termine del turno di lavoro, pulire sempre la macchina. Prima del lavaggio, accertarsi che il connettore elettrico sia scollegato. Non dirigere il getto d'acqua contro il motore elettrico e i connettori elettrici. Per la pulizia della macchina, si consiglia di usare una spazzola o una spugna.



Nota

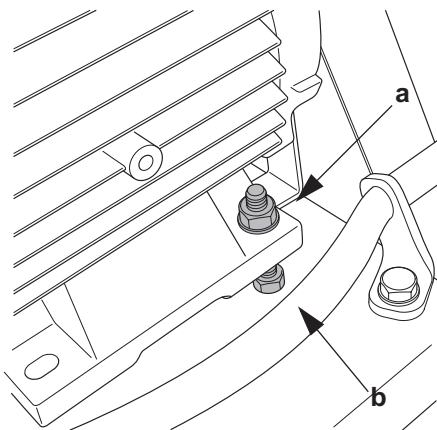
Non pulire mai la macchina con una lancia ad alta pressione.

Controllare regolarmente che il disco non sia usurato o danneggiato. Quando i segmenti sono usurati o la loro larghezza coincide quasi con quella della lama base, sostituirli.

Controllare regolarmente che cavi di alimentazione, raccordi, cinghia di trasmissione e giunti a vite non siano danneggiati.

Controllare regolarmente che cinghia di trasmissione e raccordi siano puliti e che la cinghia di trasmissione non sia troppo allentata. Per controllare che la cinghia di trasmissione sia tesa, rimuovere innanzitutto la relativa protezione.

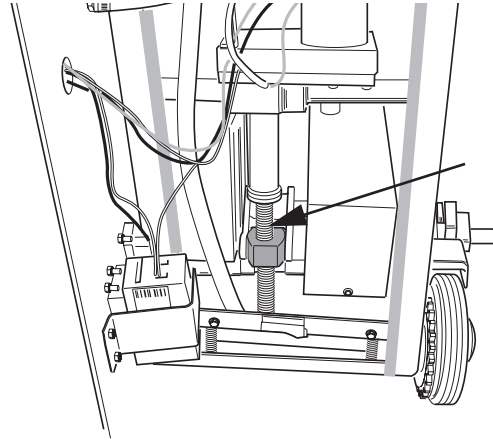
All'occorrenza, tendere la cinghia di trasmissione: svitare il dado (a), tenere fermo il dado sotto lo zoccolo con una chiave e avvitare la vite (b) finché la cinghia non è tesa. Quando la cinghia è tesa, bloccarla riavvitando il dado.



In caso di stoccaggio prolungato, pulire accuratamente la macchina e scaricare l'acqua.

Lubrificare il dado di movimento in profondità a intervalli regolari. Per accedere al dado, rimuovere innanzitutto il pannello posteriore della macchina.

Ingrassare quindi la vite di movimento un paio di cm sopra e sotto il dado.



Rimontare il pannello posteriore come segue:

1. Fissare lo sportello al bordo superiore.
2. Staccare le ruote dentate per l'avanzamento della mototroncatrice facendo leva lentamente con un cacciavite verso il basso.

Contemporaneamente, premere il pannello posteriore contro il telaio della mototroncatrice.

3. Riavvitare le viti di fissaggio del pannello posteriore.



AVVERTENZA

STACCARE SEMPRE IL CONNETTORE ELETTRICO PRIMA DI ESEGUIRE INTERVENTI DI MANUTENZIONE, RIPARAZIONE E ASSISTENZA.

Ricerca dei guasti



ATTENZIONE

Prima di eliminare un difetto, controllare che tutti i connettori elettrici siano scollegati per evitare di avviare accidentalmente la macchina durante l'intervento.

Se si verifica un difetto, controllare innanzitutto se è riportato nella seguente tabella di ricerca dei guasti.

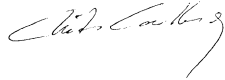
Se il difetto non è riportato nella seguente tabella di ricerca dei guasti, rivolgersi al proprio rivenditore per maggiori informazioni.

Difetto	Causa	Intervento
Il senso di rotazione del disco è errato.	L'interruttore di avviamento è in posizione errata.	Portare l'interruttore di avviamento nella posizione indicata dalla spia accesa.
Il disco si inceppa.	La cinghia di trasmissione slitta. La cinghia di trasmissione è sporca. La cinghia di trasmissione è usurata.	Tendere la cinghia di trasmissione. Pulire la cinghia di trasmissione. Sostituire la cinghia di trasmissione.
Il flusso d'acqua al disco è assente o insufficiente.	La flangia del disco è sporca.	Pulire la flangia del disco. Aumentare la pressione dell'acqua aprendo maggiormente i rubinetti.
Il disco si inceppa.	Il disco è usurato. Il disco è bloccato. La mototroncatrice è stata sovraccaricata.	Sostituire il disco. Supportare il blocco tagliato con cavalletti o martinetti. Ridurre l'avanzamento o la profondità di taglio.
Il motore non si avvia.	Il pulsante di arresto di emergenza è attivato. Guasto elettrico.	Ripristinare il pulsante di arresto di emergenza. Rivolgersi al proprio rivenditore.
L'avanzamento non funziona.	La marcia non è inserita.	Spostare la leva di avanzamento in modo da inserire la marcia.
L'avanzamento/il movimento in profondità non funziona.	I comandi di movimento non si trovavano in posizione neutra all'accensione della macchina.	Ripristinare la macchina fermando la rotazione del disco, premendo il pulsante di arresto di emergenza e portando i comandi in posizione neutra. Attendere 3 secondi e ripristinare il pulsante di arresto di emergenza.
Il movimento in profondità non funziona.	Il dado di movimento si è inceppato al fincorsa. Il dado di movimento non è lubrificato.	Rimuovere lo sportello posteriore e svitare con cautela il dado di movimento all'estremità inferiore della vite di movimento. Ingrassare l'albero di movimento.
La macchina interrompe/non avvia la rotazione del disco.	È scattata la termica del motore.	Attendere brevemente che il motore si raffreddi. Quando la temperatura del motore si riduce, la mototroncatrice si avvia normalmente.
Entrambe le spie di rotazione del disco sono accese.	Manca una fase.	Controllare i fusibili e il cavo di alimentazione.

Dichiarazione di conformità CE

La Husqvarna Construction Products Sweden AB, Box 2098, S-550 02 Jönköping, Svezia, tel. +46 36-570 60 00, dichiara con la presente che la mototroncatrice per pavimenti FS 700E, con numeri di serie a partire da 01001, è fabbricata conformemente alla direttiva macchine 98/37/CE, alla direttiva sulla bassa tensione 73/23/CEE, alla direttiva sulla compatibilità elettromagnetica 89/336/CEE e successive modifiche e integrazioni. Inoltre sono state osservate le seguenti norme: EN 55014-1, EN 55014-2, EN 61000-3-2, EN 50144-1, EN 13862.

Jönköping 01/01/2005



Christer Carlberg
Amministratore delegato



www.husqvarnacp.com

115 04 25-20

2006-12-14

Free Manuals Download Website

<http://myh66.com>

<http://usermanuals.us>

<http://www.somanuals.com>

<http://www.4manuals.cc>

<http://www.manual-lib.com>

<http://www.404manual.com>

<http://www.luxmanual.com>

<http://aubethermostatmanual.com>

Golf course search by state

<http://golfingnear.com>

Email search by domain

<http://emailbydomain.com>

Auto manuals search

<http://auto.somanuals.com>

TV manuals search

<http://tv.somanuals.com>